



POWER
TOOLS



SPARKY

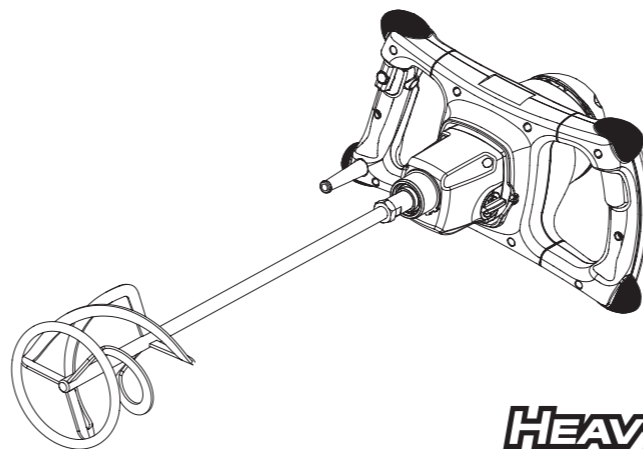
HD PROFESSIONAL

| | | |
|----|---|---------|
| EN | MIXER | 1 – 8 |
| | Original instructions | |
| DE | RÜHRER | 9 – 17 |
| | Originalbetriebsanleitung | |
| FR | AGITATEUR | 18 – 26 |
| | Notice originale | |
| IT | MISCELATORE | 27 – 34 |
| | Istruzioni originali | |
| ES | MEZCLADORA | 35 – 43 |
| | Instrucciones de uso originales | |
| PT | MISTURABORA | 44 – 52 |
| | Manual original | |
| PL | MIESZADŁO | 53 – 61 |
| | Oryginalna instrukcja obsługi | |
| RU | МИКСЕР | 62 – 70 |
| | Оригинальная инструкция по эксплуатации | |
| UK | МИКСЕР | 71 – 79 |
| | Оригінальна інструкція з експлуатації | |
| BG | МИКСЕР | 80 – 88 |
| | Оригинална инструкция за използване | |

159765V3

1603R01

© 2016 SPARKY



HEAVYDUTY

1260W

BM 1380CEPlus • BM2 1380CEPlus



EN

DECLARATION OF CONFORMITY

We declare under our sole responsibility that this product fulfills all the relevant provisions of the following directives and the harmonized standards: 2006/42/EC, 2004/108/EC (until April 19, 2016), 2014/30/EU (from April 20, 2016), 2011/65/EU, EN 60745-1, EN 55014-1, EN 55014-2, EN 61000-3-2, EN 61000-3-3. Technical file is stored at SPARKY ELTOS AG, Koubrat Str. 9, 5500 Lovetch, Bulgaria.

DE

KONFORMITÄTSERKLÄRUNG

Hiermit versichern wir unsere persönliche Haftung, dass dieses Erzeugnis allen einschlägigen Bestimmungen folgender Richtlinien und entsprechender harmonisierter Standards entspricht: 2006/42/EC, 2004/108/EC (bis 19. April 2016), 2014/30/EU (ab 20. April 2016), 2011/65/EU, EN 60745-1, EN 55014-1, EN 55014-2, EN 61000-3-2, EN 61000-3-3. Die technischen Unterlagen werden bei SPARKY ELTOS AG, Kubrat Str.9, 5500 Lovetch, Bulgarien, aufbewahrt.

FR

DECLARATION DE CONFORMITE

Nous déclarons sous notre responsabilité que ce produit satisfait à l'ensemble des dispositions pertinentes de la présente directives, respectivement aux normes harmonisées: 2006/42/EC, 2004/108/EC (jusqu'au 19 avril 2016), 2014/30/EU (à partir du 20 avril 2016), 2011/65/EU, EN 60745-1, EN 55014-1, EN 55014-2, EN 61000-3-2, EN 61000-3-3. Le dossier technique est conservé par SPARKY ELTOS AD, 9, rue Kubrat, Lovech, Bulgarie.

IT

DICHIARAZIONE DI CONFORMITÀ

Noi dichiariamo sotto la nostra personale responsabilità, che questo prodotto è in conformità a tutte le disposizioni pertinenti della presente direttive e norme armonizzate: 2006/42/EC, 2004/108/EC (fino al 19 aprile 2016), 2014/30/UE (dal 20 aprile 2016), 2011/65/EU, EN 60745-1, EN 55014-1, EN 55014-2, EN 61000-3-2, EN 61000-3-3. Il fascicolo tecnico viene custodito presso la SPARKY ELTOS AD, 5500 Lovech, via Kubrat n. 9, Bulgaria.

ES

DECLARACIÓN DE CONFORMIDAD

Declaramos bajo nuestra exclusiva responsabilidad que este producto está conforme con todas las disposiciones aplicables de la presente directrices aplicables y las correspondientes normas armonizadas: 2006/42/EC, 2004/108/EC (hasta el 19 de Abril de 2016), 2014/30/EU (a partir del 20 de Abril de 2016), 2011/65/EU, EN 60745-1, EN 55014-1, EN 55014-2, EN 61000-3-2, EN 61000-3-3. El expediente técnico está archivado en SPARKY ELTOS SA, C/ Kubrat, 9, 5500 Lovech, Bulgaria.

PT

DECLARAÇÃO DE CONFORMIDADE

Declaramos assumindo a nossa responsabilidade pessoal que este produto está conforme com todas as disposições relevantes da presente directrices aplicáveis e respectivos estándares harmonizados: 2006/42/EC, 2004/108/EC (até ao 19 de Abril de 2016), 2014/30/EU (a partir do 20 de Abril de 2016), 2011/65/EU, EN 60745-1, EN 55014-1, EN 55014-2, EN 61000-3-2, EN 61000-3-3. A documentação técnica guarda-se no SPARKY ELTOS AD, rua Kubrat 9, 5500 Lovech, Bulgária.

PL

DEKLARACJA ZGODNOŚCI

Niniejszym deklarujemy naszą osobistą odpowiedzialnością, że ten produkt spełnia wszystkie odpowiednie postanowienia następujących dyrektyw i harmonizowanych standardów: 2006/42/EC, 2004/108/EC (do 19 kwietnia 2016), 2014/30/EU (od 20 kwietnia 2016), 2011/65/EU, EN 60745-1, EN 55014-1, EN 55014-2, EN 61000-3-2, EN 61000-3-3. Teczka techniczna przechowywana jest w SPARKY ELTOS AG, Kubrat Str.9, 5500 Lovetch, Bulgaria.

RU

ДЕКЛАРАЦИЯ О СООТВЕТСТВИИ

Мы заявляем со всей ответственностью, что данный продукт полностью соответствует всем соответствующим требованиям действующих директив и гармонизированных стандартов: 2006/42/EC, 2004/108/EC (до 19 апреля 2016), 2014/30/EU (с 20 апреля 2016), 2011/65/EU, EN 60745-1, EN 55014-1, EN 55014-2, EN 61000-3-2, EN 61000-3-3. Техническое досье хранится в СПАРКИ ЕЛТОС АД, ул. Кубрат №9, 5500 Ловеч, Болгария.

UK

ДЕКЛАРАЦІЯ ПРО ВІДПОВІДНІСТЬ

Ми заявляємо під свою власну відповідальність, що даний продукт відповідає всім діючим вимогам директив і гармонізованих стандартів: 2006/42/EC, 2004/108/EC (до 19 квітня 2016), 2014/30/EU (з 20 квітня 2016), 2011/65/EU, EN 60745-1, EN 55014-1, EN 55014-2, EN 61000-3-2, EN 61000-3-3. Технічне досьє зберігається в СПАРКИ ЕЛТОС АД, ул. Кубрат № 9, 5500 Ловеч, Болгарія.

BG

ДЕКЛАРАЦИЯ ЗА СЪОТВЕТСТВИЕ

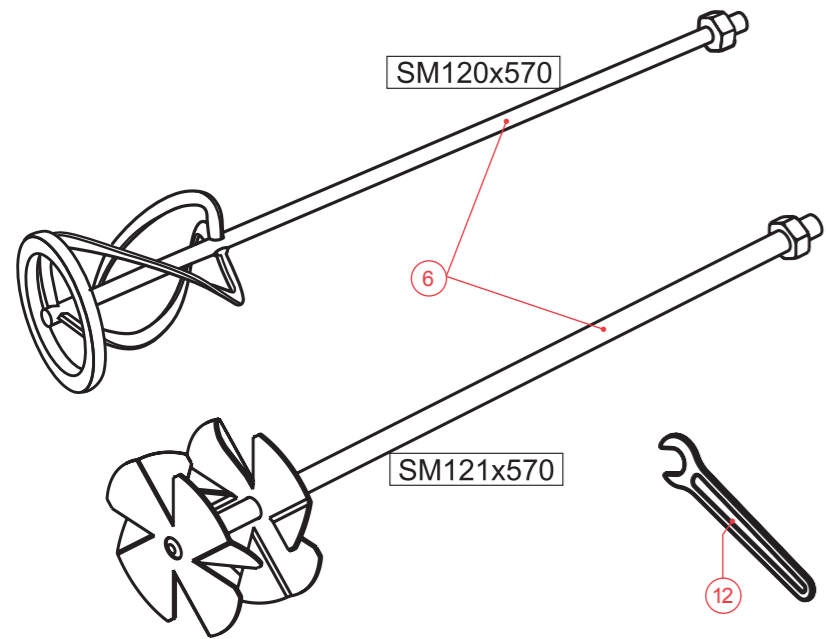
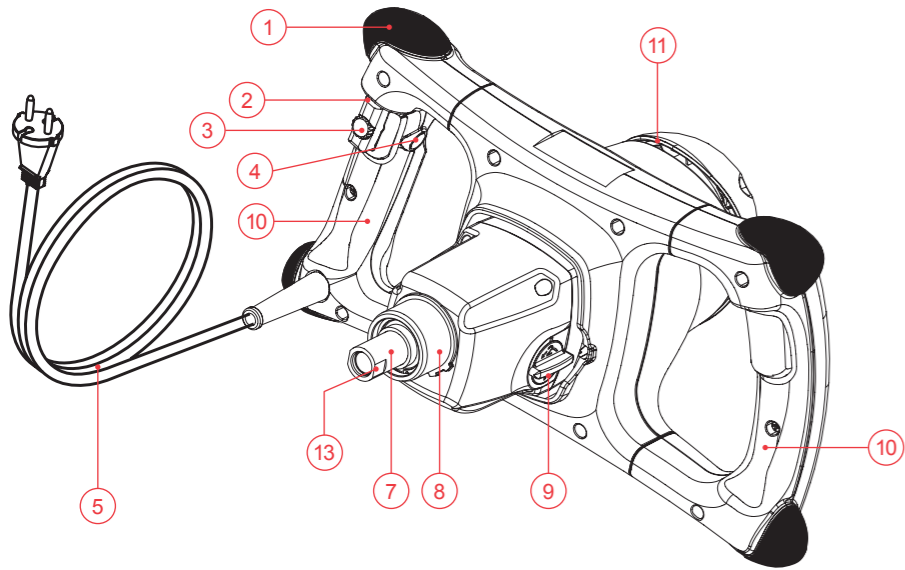
Ние декларираме на своя лична отговорност, че това изделие отговаря на всички приложими изисквания на следните директиви и хармонизирани стандарти: 2006/42/EC, 2004/108/EC (до 19 април 2016), 2014/30/EU (от 20 април 2016), 2011/65/EU, EN 60745-1, EN 55014-1, EN 55014-2, EN 61000-3-2, EN 61000-3-3. Техническото досие се съхранява в СПАРКИ ЕЛТОС АД, ул. Кубрат №9, 5500 Ловеч, България.

Manufacturer
SPARKY Power Tools GmbH
Leipziger Str. 20
10117 Berlin, GERMANY

Signature of authorized person

A. Ivanov
Technical director of SPARKY ELTOS AG

20 January 2016



Contents

| | |
|--|-----|
| Introduction | 1 |
| Technical specifications | 3 |
| General power tool safety warnings | 4 |
| Mixer safety warnings | 5 |
| Know your product | A/6 |
| Operation | 6 |
| Maintenance | 7 |
| Warranty | 8 |

UNPACKING

Due to modern mass production techniques, it is unlikely that your power tool is faulty or that a part is missing. If you find anything wrong, do not operate the tool until the parts have been replaced or the fault has been rectified. Failure to do so could result in serious personal injury.

ASSEMBLY

The mixer is packed, fully assembled.

I - Introduction

Your new SPARKY power tool will more than satisfy your expectations. It has been manufactured under stringent SPARKY Quality Standards to meet superior performance criteria. You will find your new tool easy and safe to operate, and, with proper care, it will give you many years of dependable service.

WARNING:



Carefully read through this entire Original Instructions before using your new SPARKY power tool. Take special care to heed the Warnings. Your SPARKY power tool has many features that will make your job faster and easier. Safety, performance, and dependability have been given top priority in the development of this tool, making it easy to maintain and operate.



Do not dispose of electric tools together with household waste!

Waste electrical products should not be disposed of with household waste. Please recycle where facilities exist. Check with your local authority or retailer for recycling advice.

ENVIRONMENTAL PROTECTION



The machine, accessories and packaging should be sorted for environmental-friendly recycling.
The plastic components are labelled for categorised recycling.

DESCRIPTION OF SYMBOLS

The rating plate on your power tool may show symbols. These represent important information about the product or instructions on its use.



Double insulated for additional protection.



Conforms to the relevant European Directives.



Conforms to the requirements of Customs Union regulations.



Conforms to the requirements of Ukrainian standards.




Refer to Original Instructions.

YYYY-Www Production period, where the variable symbols are:
YYYY- year of manufacture,
ww - calendar week number.

BM Mixer

Technical specifications

| Model | BM 1380CEplus | BM2 1380CEplus |
|---|---------------------------|--|
| Power input | 1260 W | 1260 W |
| No load speed | 150-300 min ⁻¹ | 150-300min ⁻¹ /200-520min ⁻¹ |
| Synchronized two-speed gear | no | yes |
| Electronic speed pre-selection | yes | yes |
| Constant electronics | yes | yes |
| Current clutch, thermal protection | yes | yes |
| Non-self starting safety (NVR) | yes | yes |
| Spindle thread | M14 | M14 |
| Weight (EPTA Procedure 01/2014) | 5.0 kg | 5.1 kg |
| Protection class (EN 60745-1)  | II | II |

NOISE AND VIBRATION INFORMATION

Measured values determined according to EN 60745.

Noise emission

| | | |
|---|-------------|-------------|
| A-weighted sound pressure level L _{pA} | 84.0 dB (A) | 84.0 dB (A) |
| Uncertainty K _{pA} | 3.0 dB (A) | 3.0 dB (A) |
| A-weighted sound power level L _{wA} | 95.0 dB (A) | 95.0 dB (A) |
| Uncertainty K _{wA} | 3.0 dB (A) | 3.0 dB (A) |

Wear hearing protection!

Vibration emission *

Total vibration values (vector sum in the three axes) determined according to EN 60745:

Stirring medium density solution

| | | |
|---|-----------------------|-----------------------|
| Vibration emission value a _n | <1.5 m/s ² | <1.5 m/s ² |
| Uncertainty K | 2.0 m/s ² | 2.0 m/s ² |

* The vibration emission values are determined according to 6.2.7 EN 60745.

The vibration emission level given in this information sheet has been measured in accordance with a standardised test given in EN 60745 and may be used to compare one tool with another. It may be used for a preliminary assessment of exposure.

The declared vibration emission level represents the main applications of the tool. However if the tool is used for different applications, with different accessories or poorly maintained, the vibration emission may differ. This may significantly increase the exposure level over the total working period.

An estimation of the level of exposure to vibration should also take into account the times when the tool is switched off or when it is running but not actually doing the job. This may significantly reduce the exposure level over the total working period.

Maintain the power tool and the accessories and keep your hands warm during operation to reduce the harmful effect of vibrations.

Dust from material such as paint containing lead, some wood species, minerals and metal may be harmful. Contact with or inhalation of the dust may cause allergic reactions and/or respiratory diseases to the operator or bystanders.

- The work place must be well ventilated.
- The use of a dust mask of filter class P2 is recommended.

Follow national requirements for the materials you want to work with.

General power tool safety warnings



WARNING! Read all safety warnings and all instructions. Failure to follow the warnings and instructions may result in electric shock, fire and/or serious injury.

Save all warnings and instructions for future reference.

The term "power tool" in the warnings refers to your mains-operated (corded) power tool or battery-operated (cordless) power tool.

1) Work area safety

- Keep work area clean and well lit. Cluttered or dark areas invite accidents.
- Do not operate power tools in explosive atmospheres, such as in the presence of flammable liquids, gases or dust. Power tools create sparks which may ignite the dust or fumes.
- Keep children and bystanders away while operating a power tool. Distractions can cause you to lose control.

2) Electrical safety

- Power tool plugs must match the outlet. Never modify the plug in any way. Do not use any adapter plugs with earthed (grounded) power tools. Unmodified plugs and matching outlets will reduce risk of electric shock.
- Avoid body contact with earthed or grounded surfaces, such as pipes, radiators, ranges and refrigerators. There is an increased risk of electric shock if your body is earthed or grounded.
- Do not expose power tools to rain or wet conditions. Water entering a power tool will increase the risk of electric shock.
- Do not abuse the cord. Never use the cord for carrying, pulling or unplugging the power tool. Keep cord away from heat, oil, sharp edges or moving parts. Damaged or entangled cords increase the risk of electric shock.
- When operating a power tool outdoors, use an extension cord suitable for outdoor use. Use of a cord suitable for outdoor use reduces the risk of electric shock.
- If operating a power tool in a damp location is unavoidable, use a residual current device (RCD) protected supply.

Use of an RCD reduces the risk of electric shock.

3) Personal safety

- Stay alert, watch what you are doing and use common sense when operating a power tool. Do not use a power tool while you are tired or under the influence of drugs, alcohol or medication. A moment of inattention while operating power tools may result in serious personal injury.
 - Use personal protective equipment. Always wear eye protection. Protective equipment such as dust mask, non-skid safety shoes, hard hat, or hearing protection used for appropriate conditions will reduce personal injuries.
 - Prevent unintentional starting. Ensure the switch is in the off-position before connecting to power source and/or battery pack, picking up or carrying the tool. Carrying power tools with your finger on the switch or energising power tools that have the switch on invites accidents.
 - Remove any adjusting key or wrench before turning the power tool on. A wrench or a key left attached to a rotating part of the power tool may result in personal injury.
 - Do not overreach. Keep proper footing and balance at all times. This enables better control of the power tool in unexpected situations.
 - Dress properly. Do not wear loose clothing or jewellery. Keep your hair, clothing and gloves away from moving parts. Loose clothes, jewellery or long hair can be caught in moving parts.
 - If devices are provided for the connection of dust extraction and collection facilities, ensure these are connected and properly used. Use of dust collection can reduce dust-related hazards.
- ## 4) Power tool use and care
- Do not force the power tool. Use the correct power tool for your application. The correct power tool will do the job better and safer at the rate for which it was designed.
 - Do not use the power tool if the switch does not turn it on and off. Any power tool that cannot be controlled with the switch is dangerous and must be repaired.
 - Disconnect the plug from the power source and/or the battery pack from the power tool before making any adjustments, changing accessories, or storing power tools. Such preventive safety meas-

ures reduce the risk of starting the power tool accidentally.

- d) **Store idle power tools out of the reach of children and do not allow persons unfamiliar with the power tool or these instructions to operate the power tool.** *Power tools are dangerous in the hands of untrained users.*
- e) **Maintain power tools. Check for misalignment or binding of moving parts, breakage of parts and any other condition that may affect the power tool's operation. If damaged, have the power tool repaired before use.** *Many accidents are caused by poorly maintained power tools.*
- f) **Keep cutting tools sharp and clean.** *Properly maintained cutting tools with sharp cutting edges are less likely to bind and are easier to control.*
- g) **Use the power tool, accessories and tool bits etc. in accordance with these instructions, taking into account the working conditions and the work to be performed.** *Use of the power tool for operations different from those intended could result in a hazardous situation.*

5) Service

- a) **Have your power tool serviced by a qualified repair person using only identical replacement parts.** *This will ensure that the safety of the power tool is maintained.*

Mixer safety warnings



During operation provide eye protection to prevent eyes from exposure to flying particles. Wear goggles.



Take protective measures against inhalation of dust. *Some materials can contain toxic ingredients.*

- Use of protective gloves is recommended.



WARNING: Before connecting a tool to a power source be sure that the voltage supply is the same as that specified on the nameplate of the tool.

- A power source with a voltage greater than that specified for the tool can result in serious injury to the user, as well as damage to the tool.
- If in doubt, do not plug in the tool.
- Using a power source with a voltage less than the nameplate rating is harmful to the motor.
- Fully unwind cable drum extensions to avoid potential overheating.
- When an extension cable is required, you must ensure that it has the right ampere rating for your power tool and it is in safe electrical condition.



WARNING: Always switch off and unplug the power tool prior to any adjustment, servicing or maintenance or in case of mains drop-out.

- Never switch on the machine under load and leave it down only after final arrest.
- When working with the machine, always hold it firmly with both hands and provide for a secure stance. The power tool is guided more secure with both hands.
- Keep the power tool away from your body and keep your hands away from rotating parts of the machine.
- In case the power tool should fall into the material to be stirred, pull the plug immediately and have the power tool checked by an after-sales service agent. Material that has penetrated the power tool can cause damage and lead to an electric shock.
- During operation in a dusty environment keep the ventilation slots clean. If cleaning is necessary, first switch the supply off and use non-metal objects to clean the vents, taking care not to damage the internal machine parts.
- Always keep the cord away from the working area of the power tool.
- Never use the machine with a damaged cable. Do not touch the damaged cable and pull the mains plug when the cable is damaged while operating. Damaged cables increase the risk of electric shock.
- The tool must be used only for its prescribed purpose. Any use other than those mentioned in this Manual will be considered a case of misuse. The user and not the manufacturer shall be liable for any damage or injury resulting from such cases of misuse.

- To use this tool properly, you must observe the safety regulations, the assembly instructions and the operating instructions found in this Manual. All persons who use and service the machine have to be acquainted with this Manual and must be informed about its potential hazards. Children and frail people must not use this tool. Children should be supervised at all times if they are in the area in which the tool is being used. It is also imperative that you observe the accident prevention regulations in force in your area. The same applies for general rules of occupational health and safety.
- The manufacturer shall not be liable for any changes made to the tool nor for any damage resulting from such changes.
- Power tools must not be used outdoors in rainy weather, or in moist environment (after rain) or in close vicinity with easily flammable liquids and gases. The working place should be well lit.

Know your product

Before using the power tool, familiarize yourself with all the operating features and safety requirements.

Use the tool and accessories only for the applications intended. All other applications are expressly ruled out.

1. Protection elements (Rubber bumpers)
2. ON/OFF switch
3. Electronic regulator of rotation speed
4. Lock-on button
5. Cord with plug
6. Mixing paddle
7. Spindle
8. Machine collar
9. Speed selector switch (BM2 1380CEplus)
10. Handles
11. Ventilation slots
12. Open-end spanner SW 22
13. Wrench flat 19 mm

Operation

This power tool is supplied from single-phase alternating current mains only. It is double insulated according to EN 60745-1 and IEC 60745 and can be connected to grounded or not grounded sockets. This power tool is radio suppressed in compliance with EMC Directive.

This power tool is designed for:

- Operation in industry and household;
- Mixing low-viscosity emulsions and viscous materials, for example: paints, lacquer, adhesives, mortar, etc.;
- Operation with mixing paddles and accessories specified here or recommended by the manufacturer.

PRIOR TO INITIAL OPERATION

- Make sure the power supply voltage corresponds to the value indicated on the name plate with technical data of the tool.
- Always check the position of ON/OFF switch. The power tool must be connected and disconnected to the power supply socket only when this switch is in OFF position. If the plug is connected to a receptacle while the power switch is in the ON position, the power tool will start operating immediately, which could cause a serious accident.
- Make sure that the cord and the plug are in order. If the replacement of the supply cord is necessary, this has to be done by the manufacturer or his agent in order to avoid a safety hazard.
- Check the power tool and the mixing paddle for faults, unbalanced paddle and vibrations. Perform a trial test.



WARNING: Always switch off and unplug the power tool prior to any adjustment, servicing or maintenance or in case of mains drop-out..

SWITCHING ON - SWITCHING OFF

Brief activation

Switching on: press ON/OFF switch 2.

Switching off: release ON/OFF switch 2.

Continuous use

Switching on: press ON/OFF switch 2 and in pressed position lock it by button 4.

Switching off: press ON/OFF switch 2 once and release it immediately.

ELECTRONIC RPM CONTROL

Light pressure on ON/OFF switch 2 results in low rotation speed, further pressing the switch results in smooth increase of the rpm to maximum upon reaching the extreme position.

ELECTRONIC SPEED PRE-SELECTION

The necessary speed can be pre-selected by rotating the regulator dial 3 to the direction of the arrow or to the mark "+" for increasing, and to the direction opposite to the arrow or towards the mark "-" for decreasing the speed, thus ensuring optimum mode.

The mixer BM2 1380CEplus is equipped with two-speed gear. Switching between the speeds is performed by rotating the speed selector switch 9 to 180° in the direction of the arrow, marked on the switch, with the machine stopped (anti-clockwise).

INSERTING OR REPLACING THE MIXING PADDLE

Unplug the machine in case the plug has been inserted in the socket.

Screw the mixing paddle 6 by hand in clockwise direction.

Using the open end spanner SW22 unscrew harshly the mixing paddle 6 in anti-clockwise direction. In case the mixing paddle has jammed, use an auxiliary 19 mm spanner applied at the wrench flat 13 to fix the spindle 7.

RECOMMENDATIONS

The mixing paddle is still rotating for a while after the machines has been switched off.

If the rotating paddle touches a surface, a rebound may result.

Start the machine by slowly pressing the switch trigger 2 to reach maximum speed only after the mixing paddle has already been dipped into the mixture.

OVERLOAD PROTECTION

Upon minor long overloads, the thermal overload protection actuates and switches the motor off. To resume operation after cooling down for approximately 3-5 min, switch the trigger off and on again.

Current protection actuates upon large brief overloads. It interrupts the supply and disables the machine. To start operating the machine, first switch off and then switch on the lever of ON/OFF switch.

In case of mains drop-out (or temporary drop-out for time $t > 0.5$ s), when the ON/OFF switch is in ON position, the machine should not operate after supply recovering. To start operating the machine, first switch off and then switch on the lever of ON/OFF switch.

ACCESSORIES TO BE USED WITH THIS POWER TOOL

- Mixing paddles with right wise rotation, M14 outer thread and $\varnothing_{\max}140$ can be used with this power tool.

- Mixing paddle SM120x570

- Mixing paddle SM121x570

The delivery does not necessarily include the mixing paddles SM120x570 and SM121x570.

Maintenance



WARNING: Always ensure that the tool is switched off and unplugged before attempting to perform inspection or maintenance.

BRUSH REPLACEMENT

This power tool is equipped with auto-stop brushes. When the carbon brushes are worn out, the machine switches itself off. In this case both brushes must be replaced simultaneously with genuine brushes at SPARKY service centre for warranty and post-warranty service.

GENERAL INSPECTION

Regularly inspect all fasteners and ensure they are properly tightened. Should any of the screws be loose, retighten it immediately to avoid hazards.

If the replacement of the supply cord is necessary, this has to be done by the manufacturer or his agent in order to avoid a safety hazard.

CLEANING

For safe operation always keep the machine and its ventilation slots clean.

Regularly check to see if any dust or foreign matter has entered the ventilation slots and the grills around the switches. Use a soft brush and/or air jet to remove any accumulated dust. Wear safety glasses to protect your eyes whilst cleaning.

Exterior plastic parts may be cleaned with a damp cloth and mild detergent if necessary.



WARNING: Never use alcohol, petrol or other cleaning agent. Never use caustic agents to clean plastic parts.



WARNING: Water must never come into contact with the tool.

IMPORTANT! To assure product safety and reliability, repairs, maintenance and adjustment (including brush inspection and replacement) should be performed by certified service centres or other qualified service organisations, always using genuine replacement parts.

Warranty

The guarantee period for SPARKY power tools is determined in the guarantee card.

Faults due to normal wear, overloading or improper handling will be excluded from the guarantee.

Faults due to defective materials implemented as well as defects in workmanship will be corrected free of charge through replacement or repair.

The complaints for defective SPARKY power tools will be recognized if the machine is sent back to the dealer or is presented to the authorised warranty service centre undismantled, in its initial condition.

Notes

Carefully read the entire Instruction Manual before using this product.

The manufacturer reserves the right to make changes and improvements to the products and to alter specifications without prior notice.

Specifications may differ from country to country.

Inhaltsverzeichnis

| | |
|--|------|
| Einführung | 9 |
| Technische Daten | 11 |
| Allgemeine Sicherheitshinweise für Elektrowerkzeuge..... | 12 |
| Sicherheitshinweise für Rührer | 13 |
| Elemente des Elektrowerkzeugs..... | A/14 |
| Arbeitshinweise | 15 |
| Wartung | 16 |
| Garantie | 17 |

AUSPACKEN

Überprüfen Sie unmittelbar nach dem Auspacken ob sämtliche Bestandteile und das beschriebene Zubehör mitgeliefert wurden. Sollte dies nicht der Fall sein, wenden Sie sich bitte umgehend an Ihren Fachhändler bei dem das Elektrowerkzeug gekauft wurde. Dies trifft auch dann zu, wenn Sie den Eindruck haben mit dem Gerät ist etwas nicht in Ordnung. Eine Nichtbeachtung dieser Empfehlung kann zu schweren Unfällen führen.

MONTAGE

Die Rührer werden verpackt und zusammengebaut geliefert.

Einführung

Das von Ihnen erworbene Elektrowerkzeug wird Ihre Erwartungen übersteigen. Es ist gemäß den hohen Qualitätsstandards von SPARKY hergestellt, die den strengen Anforderungen des Verbrauchers entsprechen. Einfach in der Bedienung und ungefährlich bei richtiger Handhabung, wird dieses Gerät bei bestimmungsgemäßem Gebrauch Ihnen lange Jahre zuverlässig dienen.

WARNUNG!



Lesen Sie die ganze Originalbetriebsanleitung aufmerksam durch, bevor Sie das neu erworbene SPARKY – Elektrowerkzeug in Betrieb nehmen. Beachten Sie besonders die Texte, die mit dem Wört „Warnung“ beginnen. Ihr SPARKY - Elektrowerkzeug besitzt viele Eigenschaften, die Ihre Arbeit erleichtern werden. Bei der Entwicklung dieses Elektrowerkzeuges ist höchste Aufmerksamkeit der Sicherheit, den Betriebseigenschaften und der Zuverlässigkeit gewidmet worden, die es einfach zur Wartung und Bedienung machen.



Keine elektrischen Geräte zusammen mit dem Hausmüll wegwerfen!

Die Abfälle von elektrischen Erzeugnissen sollen nicht zusammen mit dem Hausmüll gesammelt werden. Für eine umweltgerechte Entsorgung geben Sie Ihren alten / defekten Elektrogeräte bitte in der nächsten kommunalen Sammelstelle ab.

UMWELTSCHUTZ



Angesichts des Umweltschutzes sollen das Elektrowerkzeug, die Zubehörteile und die Verpackung einer geeigneten Wiederverwertung zugeführt werden.

Zum sortenreinen Recycling sind die Teile, hergestellt aus Kunststoffen, entsprechend gekennzeichnet.

BEDEUTUNG DER SYMBOLE

Auf dem Typenschild des Elektrowerkzeuges sind spezielle Symbole dargestellt. Sie stellen wichtige Information über das Produkt oder Instruktionen für seine Nutzung dar.



Doppelte Isolierung für zusätzlichen Schutz.



Entspricht den einschlägigen Europäischen Richtlinien.



Entspricht den Anforderungen der Zollunion-Regelungen.



Entspricht den Anforderungen der ukrainischen normativen Dokumenten.



Lesen Sie die Originalbetriebsanleitung.

YYYY-Www Zeitabschnitt der Produktion, wobei die variablen Symbole sind:


YYYY - Kalenderjahr der Produktion,

ww - laufende Kalenderwoche.

BM

Rührer.

Technische Daten

| Modell | BM 1380CEplus | BM2 1380CEplus |
|---|---------------------------|--|
| Nennaufnahme | 1260 W | 1260 W |
| Leerlaufdrehzahl | 150-300 min ⁻¹ | 150-300min ⁻¹ /200-520min ⁻¹ |
| Synchronisiertes Zweiganggetriebe | nein | ja |
| Elektronische Drehzahlregelung | ja | ja |
| Konstant- Elektronik | ja | ja |
| Überlastschutz, Temperaturschutz | ja | ja |
| Wiederanlaufschutz | ja | ja |
| Anschlussgewinde | M14 | M14 |
| Gewicht (EPTA Verfahren 01/2014) | 5.0 kg | 5.1 kg |
| Schutzklasse (EN 60745-1)  | II | II |
| GERÄUSCH-/VIBRATIONSINFORMATION | | |
| Messwerte ermittelt entsprechend EN 60745. | | |
| Geräuschemissionswerte | | |
| Der A-bewertete Schalldruckpegel L _{pA} | 84.0 dB (A) | 84.0 dB (A) |
| Unsicherheit K _{pA} | 3.0 dB (A) | 3.0 dB (A) |
| Der A-bewertete Schalleistungspegel L _{WA} | 95.0 dB (A) | 95.0 dB (A) |
| Unsicherheit K _{WA} | 3.0 dB (A) | 3.0 dB (A) |
| Gehörschutz tragen! | | |
| Schwingungsemissionswerte * | | |
| Schwingungsgesamtwerte (Vektorsumme dreier Richtungen) ermittelt entsprechend EN 60745 | | |
| Rühren von mitteldichtem Mörtel | | |
| Schwingungsemissionswert a _b | <1.5 m/s ² | <1.5 m/s ² |
| Unsicherheit K | 2.0 m/s ² | 2.0 m/s ² |
| * Messwerte ermittelt nach 6.2.7 N 60745. | | |

Der in diesen Anweisungen angegebene Schwingungspegel ist entsprechend einem in EN 60745 genormten Messverfahren gemessen worden und kann für den Vergleich von Elektrowerkzeugen miteinander verwendet werden. Er eignet sich auch für eine vorläufige Einschätzung der Schwingungsbelastung.

Der angegebene Schwingungspegel repräsentiert die hauptsächlichen Anwendungen des Elektrowerkzeugs. Wenn allerdings das Elektrowerkzeug für andere Anwendungen, mit abweichenden Einsatzwerkzeugen oder ungenügender Wartung eingesetzt wird, kann der Schwingungspegel abweichen. Dies kann die Schwingungsbelastung über den gesamten Arbeitszeitraum deutlich erhöhen.

Für eine genaue Abschätzung der Schwingungsbelastung sollten auch die Zeiten berücksichtigt werden, in denen das Gerät abgeschaltet ist oder zwar läuft, aber nicht tatsächlich im Einsatz ist. Dies kann die Schwingungsbelastung über den gesamten Arbeitszeitraum deutlich reduzieren.

Pflegen Sie das Gerät und die Einsatzwerkzeuge mit Sorgfalt. Halten Sie Ihre Hände warm während der Arbeit – dies wird die schädliche Einwirkung erhöhter Schwingungen reduzieren.

Stäube von Materialien wie bleihaltigem Anstrich, einigen Holzarten, Mineralien und Metall können gesundheitsschädlich sein. Berühren oder Einatmen der Stäube können allergische Reaktionen und/oder Atemwegserkrankungen des Benutzers oder in der Nähe befindlicher Personen hervorrufen.

- Sorgen Sie für gute Belüftung des Arbeitsplatzes.
- Es wird empfohlen, eine Atemschutzmaske mit Filterklasse P2 zu tragen.

Beachten Sie in Ihrem Land gültige Vorschriften für die zu bearbeitenden Materialien.

Allgemeine Sicherheitshinweise für Elektrowerkzeuge



WARNUNG: Lesen Sie alle Sicherheitshinweise und Anweisungen. Versäumnisse bei der Einhaltung der Sicherheitshinweise und Anweisungen können elektrischen Schlag, Brand und/oder schwere Verletzungen verursachen.

Bewahren Sie alle Sicherheitshinweise und Anweisungen für die Zukunft auf.

Der in den Sicherheitshinweisen verwendete Begriff „Elektrowerkzeug“ bezieht sich auf netzbetriebene Elektrowerkzeuge (mit Netzkabel) und auf akkubetriebene Elektrowerkzeuge (ohne Netzkabel).

1) Arbeitsplatzsicherheit

- a) Halten Sie Ihren Arbeitsbereich sauber und gut beleuchtet. Unordnung oder unbeleuchtete Arbeitsbereiche können zu Unfällen führen.
- b) Arbeiten Sie mit dem Elektrowerkzeug nicht in explosionsgefährdeter Umgebung, in der sich brennbare Flüssigkeiten, Gase oder Stäube befinden. Elektrowerkzeuge erzeugen Funken, die den Staub oder die Dämpfe entzünden können.
- c) Halten Sie Kinder und andere Personen während der Benutzung des Elektrowerkzeugs fern. Bei Ablenkung können Sie die Kontrolle über das Gerät verlieren.

2) Elektrische Sicherheit

- a) Der Anschlussstecker des Elektrowerkzeuges muss in die Steckdose passen. Der Stecker darf in keiner Weise verändert werden. Verwenden Sie keine Adapterstecker gemeinsam mit schutzgeerdeten Elektrowerkzeugen. Unveränderte Stecker und passende Steckdosen verringern das Risiko eines elektrischen Schlages.
- b) Vermeiden Sie Körperkontakt mit geerdeten Oberflächen wie von Rohren, Heizungen, Herden und Kühlschränken. Es besteht ein erhöhtes Risiko durch elektrischen Schlag, wenn Ihr Körper geerdet ist.
- c) Halten Sie Elektrowerkzeuge von Regen oder Nässe fern. Das Eindringen von Was-

ser in ein Elektrowerkzeug erhöht das Risiko eines elektrischen Schlages.

- d) Zweckentfremden Sie das Kabel nicht, um das Elektrowerkzeug zu tragen, aufzuhängen oder um den Stecker aus der Steckdose zu ziehen. Halten Sie das Kabel fern von Hitze, Öl, scharfen Kanten oder sich bewegenden Geräteteilen. Beschädigte oder verwickelte Kabel erhöhen das Risiko eines elektrischen Schlages.
- e) Wenn Sie mit einem Elektrowerkzeug im Freien arbeiten, verwenden Sie nur Verlängerungskabel, die auch für den Außenbereich geeignet sind. Die Anwendung eines für den Außenbereich geeigneten Verlängerungskabels verringert das Risiko eines elektrischen Schlages.
- f) Wenn der Betrieb des Elektrowerkzeuges in feuchter Umgebung nicht vermeidbar ist, verwenden Sie einen Fehlerstromschutzschalter. Der Einsatz eines Fehlerstromschutzschalters vermindert das Risiko eines elektrischen Schlages.

3) Sicherheit von Personen

- a) Seien Sie aufmerksam, achten Sie darauf, was Sie tun, und gehen Sie mit Vernunft an die Arbeit mit einem Elektrowerkzeug. Benutzen Sie kein Elektrowerkzeug, wenn Sie müde sind oder unter dem Einfluss von Drogen, Alkohol oder Medikamenten stehen. Ein Moment der Unachtsamkeit beim Gebrauch des Elektrowerkzeuges kann zu ernsthaften Verletzungen führen.
- b) Tragen Sie persönliche Schutzausrüstung und immer eine Schutzbrille. Das Tragen persönlicher Schutzausrüstung, wie Staubmaske, rutschfeste Sicherheitsschuhe, Schutzhelm oder Gehörschutz, je nach Art und Einsatz des Elektrowerkzeuges, verringert das Risiko von Verletzungen.
- c) Vermeiden Sie eine unbeabsichtigte Inbetriebnahme. Vergewissern Sie sich, dass das Elektrowerkzeug ausgeschaltet ist, bevor Sie es an die Stromversorgung und/oder den Akku anschließen, es aufnehmen oder tragen. Wenn Sie beim Tragen des Elektrowerkzeuges den Finger am Schalter haben oder das Gerät eingeschaltet an die Stromversorgung anschließen, kann dies zu Unfällen führen.
- d) Entfernen Sie Einstellwerkzeuge oder Schraubenschlüssel, bevor Sie das Elektrowerkzeug einschalten. Ein Werkzeug oder Schlüssel, der sich in einem drehen-

den Geräteteil befindet, kann zu Verletzungen führen.

- e) **Vermeiden Sie eine abnormale Körperhaltung.** Sorgen Sie für einen sicheren Stand und halten Sie jederzeit das Gleichgewicht. Dadurch können Sie das Elektrowerkzeug in unerwarteten Situationen besser kontrollieren.
- f) **Tragen Sie geeignete Kleidung.** Tragen Sie keine weite Kleidung oder Schmuck. Halten Sie Haare, Kleidung und Handschuhe fern von sich bewegenden Teilen. Lockere Kleidung, Schmuck oder lange Haare können von sich bewegenden Teilen erfasst werden.
- g) **Wenn Staubabsaug- und -auffangeinrichtungen montiert werden können, vergewissern Sie sich, dass diese angeschlossen sind und richtig verwendet werden.** Verwendung einer Staubabsaugung kann Gefährdungen durch Staub verringern.

4) Verwendung und Behandlung des Elektrowerkzeuges

- a) **Überlasten Sie das Gerät nicht.** Verwenden Sie für Ihre Arbeit das dafür bestimmte Elektrowerkzeug. Mit dem passenden Elektrowerkzeug arbeiten Sie besser und sicherer im angegebenen Leistungsreich.
- b) **Benutzen Sie kein Elektrowerkzeug, dessen Schalter defekt ist.** Ein Elektrowerkzeug, das sich nicht mehr ein- oder ausschalten lässt, ist gefährlich und muss repariert werden.
- c) **Ziehen Sie den Stecker aus der Steckdose und/oder entfernen Sie den Akku, bevor Sie Geräteeinstellungen vornehmen, Zubehörteile wechseln oder das Gerät weglegen.** Diese Vorsichtsmaßnahme verhindert den unbeabsichtigten Start des Elektrowerkzeuges.
- d) **Bewahren Sie unbenutzte Elektrowerkzeuge außerhalb der Reichweite von Kindern auf.** Lassen Sie Personen das Gerät nicht benutzen, die mit diesem nicht vertraut sind oder diese Anweisungen nicht gelesen haben. *Elektrowerkzeuge sind gefährlich, wenn Sie von unerfahrenen Personen benutzt werden.*
- e) **Pflegen Sie Elektrowerkzeuge mit Sorgfalt.** Kontrollieren Sie, ob bewegliche Teile einwandfrei funktionieren und nicht klemmen, ob Teile gebrochen oder so beschädigt sind, dass die Funktion des

Elektrowerkzeuges beeinträchtigt ist. Lassen Sie beschädigte Teile vor dem Einsatz des Gerätes reparieren. *Viele Unfälle haben ihre Ursache in schlecht gewarteten Elektrowerkzeugen.*

- f) **Halten Sie Schneidwerkzeuge scharf und sauber.** *Sorgfältig gepflegte Schneidwerkzeuge mit scharfen Schneidkanten verklemmen sich weniger und sind leichter zu führen.*
 - g) **Verwenden Sie Elektrowerkzeug, Zubehör, Einsatzwerkzeuge usw. entsprechend diesen Anweisungen.** Berücksichtigen Sie dabei die Arbeitsbedingungen und die auszuführende Tätigkeit. *Der Gebrauch von Elektrowerkzeugen für andere als die vorgesehenen Anwendungen kann zu gefährlichen Situationen führen.*
- #### 5) Service
- a) **Lassen Sie Ihr Elektrowerkzeug nur von qualifiziertem Fachpersonal und nur mit Original-Ersatzteilen reparieren.** *Damit wird sichergestellt, dass die Sicherheit des Elektrowerkzeuges erhalten bleibt.*

Sicherheitshinweise für Rührer



Verwenden Sie während der Arbeit geeignete Augenschutzmittel um sich vor fliegenden Teilchen zu schützen. Tragen Sie eine Schutzbrille.



Treffen Sie Schutzmaßnahmen gegen das Einatmen von Staub. *Manche Werkstoffe können toxische Bestandteile enthalten.*

- Es wird empfohlen, während der Arbeit mit der Stichsäge Schutzhandschuhe tragen.



WARNUNG: Bevor Sie das Elektrogerät an das Stromnetz anschließen, überzeugen Sie sich, dass die Versorgungsspannung der angegebenen Spannung auf der Tabelle mit den technischen Daten (auf dem Typenschild) des Elektrogeräts entspricht.

- Eine höhere Spannung als auf dem Typenschild angegeben kann ernsthafte Verletzungen für den Bediener und Schäden am Elektrowerkzeug hervorrufen.
- Wenn sie Zweifel haben, stecken Sie den Stecker des Elektrowerkzeugs nicht in die Steckdose.
- Niedrigere Spannung als auf dem Typenschild angegeben kann das Elektrowerkzeug beschädigen.
- Um ein eventuelles Überhitzen eines Verlängerungskabels zu vermeiden, wickeln Sie das Kabel der Kabeltrommel immer bis zum Ende ab.
- Falls das Benutzen eines Verlängerungskabels erforderlich ist, überzeugen Sie sich, dass der Querschnitt des Kabels dem Nennstrom des benutzten Elektrowerkzeuges entspricht. Überzeugen Sie sich von der Funktionalität des Kabels und prüfen Sie es auf Schäden.



WARNUNG: Schalten Sie vor jeder Einstellung, Bedienung oder Wartung, so wie auch bei einem Stromausfall immer das Elektrowerkzeug aus und ziehen Sie den Stecker aus der Steckdose.

- Die Maschine nicht unter Belastung einschalten und nur bei vollem Stillstand zur Seite legen.
- Halten Sie das Elektrowerkzeug beim Arbeiten fest mit beiden Händen und sorgen Sie für einen sicheren Stand. Das Elektrowerkzeug wird mit zwei Händen sicherer geführt.
- Halten Sie das Elektrowerkzeug beim Arbeiten fest mit beiden Händen und sorgen Sie für einen sicheren Stand.
- Ziehen Sie sofort den Netzstecker und lassen Sie das Elektrowerkzeug vom Kundendienst überprüfen, falls es in das Rührgut fällt. In das Elektrowerkzeug eindringendes Rührgut kann Schäden verursachen und zu einem elektrischen Schlag führen.
- Beim Arbeiten in staubiger Umgebung sollten die Lüftungsschlitze der Maschine sauber gehalten werden. Falls Sie vom Staub gereinigt werden müssen, schalten Sie zuerst die Maschine aus und verwenden Sie keine metallischen Gegenstände für die Staubentfernung. Achten Sie bitte darauf, die Außenteile der Maschine dabei nicht zu beschädigen.
- Halten Sie das Netzkabel außerhalb des Arbeitsbereichs der Maschine.
- Sie dürfen mit dem Elektrowerkzeug nicht arbeiten, wenn das Netzkabel beschädigt

ist. Berühren Sie das beschädigte Netzkabel nicht und ziehen Sie den Stecker aus der Steckdose heraus, wenn das Netzkabel während der Arbeit beschädigt wird. Ein beschädigtes Netzkabel erhöht das Risiko für einen Stromschlag.

- Das Elektrowerkzeug soll nur bestimmungsgemäß verwendet werden. Jeder anderer Gebrauch, anders als der Gebrauch, beschrieben in dieser Instruktion, gilt als nicht bestimmungsgemäß. Die Verantwortung für jede Schädigung oder Verletzung, verursacht durch falschen Gebrauch, trägt der Betreiber und nicht der Hersteller.
- Um dieses Elektrowerkzeug richtig zu betreiben, sollten Sie die Sicherheitsregeln, die allgemeinen Instruktionen und die Betriebsanweisungen, die hier angegeben sind, beachten. Alle Betreiber sollten sich mit dieser Betriebsanweisung bekanntmachen und über die potenziellen Risiken bei der Arbeit mit dem Elektrowerkzeug informiert sein. Kinder und körperlich schwache Personen dürfen das Elektrowerkzeug nicht benutzen. Kinder sollten ständig kontrolliert werden, falls sie sich in der Nähe des Ortes, wo mit dem Elektrowerkzeug gearbeitet wird, befinden. Unbedingt sollten auch präventive Sicherheitsmassnahmen getroffen werden. Das gleiche gilt auch für die Einhaltung der Grundregeln für Berufsgesundheit und Sicherheit. Der Hersteller übernimmt keine Verantwortung für von dem Betreiber vorgenommenen Änderungen des Elektrowerkzeuges oder für Schaden, verursacht durch solche Änderungen.
- Der Hersteller trägt keine Verantwortung für die vom Verbraucher am Elektrowerkzeug vorgenommenen Änderungen oder für Schäden, die von solchen Änderungen verursacht worden sind.
- Das Elektrowerkzeug darf nicht im Freien verwendet werden wenn es regnet. Das Elektrowerkzeug darf nicht verwendet werden auch in feuchter Umgebung (wenn es geregnet hat) oder in der Nähe von leicht entzündbaren Flüssigkeiten oder Gasen. Der Arbeitsplatz muß gut beleuchtet sein.

Elemente des Elektrowerkzeugs

Vor dem Beginn der Arbeit mit dem Elektrowerkzeug machen Sie sich mit allen operativen

Besonderheiten und Sicherheitsbedingungen bekannt.

Benutzen Sie das Elektrowerkzeug und das Zubehör dazu nur zweckmäßig. Jede andere Anwendung ist ausdrücklich verboten.

1. Gummikissen
2. Ein- und Ausschalter
3. Elektronischer Drehzahlregler
4. Feststelltaste
5. Netzkabel mit Stecker
6. Rührkorb
7. Antriebsspindel
8. Anschlusszapfen der Maschine /Adapter
9. Gangwahlschalter (BM2 1380CEplus)
10. Handgriffe
11. Lüftungsschlitze
12. Mauschlüssel SW 22
13. Aufnahmespindel 19 mm

Arbeitshinweise

Dieses Elektrowerkzeug wird mit einphasiger Wechselspannung versorgt. Man kann es an Kontaktsteckdosen ohne Schutzklemmen anschließen. Es ist nach EN 60745-1 und IEC 60745 doppelt isoliert. Die Funkstörungen entsprechen der EMV-Richtlinie zur Elektromagnetischen Verträglichkeit.

Das Elektrowerkzeug ist bestimmt zum:

- Betrieb in der Industrie und im Heim;
- Anrühren von flüssigen und halbflüssigen Baustoffen mit niedrigerer Viskosität, z.B.: Farben, Lacken, Klebern, leichten Putzen u.a.;
- Gebrauch mit Rührkörpern und Zubehör, die in der Betriebsanleitung angegeben oder von dem Hersteller empfohlen worden sind.

VOR DEM ARBEITSBEGINN

- Überprüfen Sie ob die Spannung des Versorgungsnetzes der auf dem Typenschild mit den technischen Daten des Elektrowerkzeuges angegebenen Spannung entspricht.
- Überprüfen Sie in welcher Stellung der sich Schalter befindet. Das Gerät darf nur ausgeschaltet ans Netz angeschlossen und vom Netz getrennt werden. Falls Sie den Netzstecker in die Steckdose stecken wenn das Gerät eingeschaltet ist wird es sofort beginnen anzulaufen was die Voraussetzung für einen schweren Unfall sein kann.
- Überzeugen Sie sich vom ordnungsgemäßen Zustand des Versorgungskabels und des Steckers. Falls das Versorgungskabel beschä-

digt ist, darf es nur vom Hersteller oder einem autorisierten Servicefachmann ausgetauscht werden um eventuelle Gefährdungen zu vermeiden.

- Vor Arbeitsbeginn sollten das Elektrowerkzeug und der Rührkorb für Störungen, Unwucht und Vibrationen überprüft werden. Probelauf durchführen.



WARNUNG: Schalten Sie vor jeder Einstellung, Bedienung oder Wartung, so wie auch bei einem Stromausfall immer das Elektrowerkzeug aus und ziehen Sie den Stecker aus der Steckdose.

EIN- UND AUSSCHALTEN

Kurzzeitige Betätigung

Einschalten: Schalter 2 drücken.

Ausschalten: Schalter 2 loslassen.

Längerer Betrieb

Einschalten: Schalter 2 drücken und in gedrücktem Zustand mit der Feststelltaste 4 fixieren.

Ausschalten: Schalter 2 einmal drücken und loslassen.

STUFENLOSE ELEKTRONISCHE DREHZAHLEGELUNG

Leichter Druck des Schalters 2 bewirkt den Betrieb des Rührgerätes mit niedriger Drehzahl, die mit Verstärkung des Druckes auf den Schalter 2 gleichmäßig bis zum Erreichen der Enddrehzahl erhöht werden kann.

DREHZAHLVORWAHL

Die erforderliche Drehzahl wird durch Drehen des Reglers 3 in Richtung „+“ zur Erhöhung der Drehzahl und in Richtung „-“ zur Reduzierung der Drehzahl vorgegeben. Somit wird der optimale Betrieb gewährleistet.

Das Rührgerät BM2 1380CE Plus ist mit einem Zweiganggetriebe ausgestattet. Die Gangumschaltung geschieht durch Drehen des Gangwahlschalters 9 um 180° in Richtung des angegebenen Pfeils, markiert am Umschalter (gegen den Uhrzeigersinn bei stillstehender Maschine).

ANBRINGEN ODER ERSETZEN DES RÜHRKORBES

Den Stecker aus dem Netz ziehen.

Der Rührkorb 6 wird mit der Hand im Uhrzeigersinn in die Spindel gedreht und mit dem

Maulschlüssel SW 22 im Uhrzeigersinn festgezogen.

Um den Rührkorb zu entfernen verfahren Sie bitte umgekehrt (entgegen dem Uhrzeigersinn). Im Falle eines so nicht lösbaren Rührkorbes verwenden Sie bitte einen 19mm Schlüssel mit welchem Sie die Aufnahmespindel festhalten.

EMPFEHLUNGEN

Der Rührkorb dreht sich noch eine gewisse Zeit nach dem Ausschalten.

Falls der sich drehende Rührkorb irgendwelche Oberflächen berührt, kann ein Gegenstoß verursacht werden.

Das Elektrowerkzeug sollte erst nach dem Eintauchen des Rührkorbes ins Rührgut, durch gleichmäßigen Druck auf den Ein- und Ausschalter 2, bis zum Erreichen der max. Drehzahl, eingeschaltet werden.

ÜBERLASTSCHUTZ

Bei niedriger, anhaltender Überlast schaltet der Thermoschutz den Motor automatisch aus. Nach einer kurzen Abkühlzeit von ca. 3-5 Minuten kann durch Aus - und Einschalten die Arbeit wieder aufgenommen werden.

Bei großen kurzfristigen Überlastungen startet der Stromschutz seine Funktion, welche die Versorgung der Maschine einstellt und die Maschine unanwendbar macht. Damit es weiter betrieben wird, den Schalter ausschalten und erneut einschalten.

Bei Unterbrechung der Netzspannung (oder bei vorübergehendem Stromausfall für eine Zeit $t > 0,5$ s.), wenn der Schalter in Ein-Stellung arretiert ist, läuft das Elektrowerkzeug nach Wiederherstellung der Netzspannung nicht. Damit es weiter betrieben wird, den Schalter ausschalten und erneut einschalten.

ZUBEHÖR, DAS MIT DIESEM ELEKTROGERÄT BENUTZT WERDEN KANN

- Es können Rührvorsätze mit Rechtsdrehung, Anschluss -Außengewinde M14 und maximalem Durchmesser des Arbeitskörpers von 140mm verwendet werden.
- Rührkorb SM120x570
- Rührkorb SM121x570

Die Rührkörbe SM 120x570 und SM 121x570 sind nicht zwingend Bestandteile der Lieferung.

Wartung



WARNUNG: Vor jeder Wartung oder Überprüfung das Elektrowerkzeug immer ausschalten und den Stecker aus der Steckdose ziehen.

AUSWECHSELN DER BÜRSTEN

Das Elektrowerkzeug ist mit Selbstausschaltenden Bürsten ausgerüstet. Wenn die Bürsten abgenutzt sind, schaltet sich die Maschine von selbst aus. In solchem Fall sollen beide Bürsten gleichzeitig durch Originalbürsten im SPARKY – Kundendienst ausgewechselt werden.

ALLGEMEINE ÜBERPRÜFUNG

Überprüfen Sie regelmäßig alle Befestigungselemente um sich zu überzeugen, dass sie fest angezogen sind. Falls einige der Schrauben lose sind, sofort festziehen, um Risikosituationen zu vermeiden.

Im Falle eines beschädigten Netzkabels soll der Austausch durch den Hersteller oder seinen Servicefachmann vorgenommen werden, um die Risiken die bei einem Austausch entstehen können zu vermeiden.

REINIGUNG

Für den sicheren Betrieb die Maschine und die Belüftungsöffnungen immer sauber halten. Regelmäßig überprüfen, ob in die Belüftungsöffnungen des Motors oder um die Umschalter Staub oder Fremdkörper eingedrungen sind. Weiche Bürste und/oder Druckluft für die Entfernung des Staubes verwenden. Um die Augen während der Reinigung zu schützen, Schutzbrille tragen.

Das Gehäuse der Maschine gegebenenfalls mit einem weichen feuchten Tuch abwischen. Hierfür kann zusätzlich eine schwache Reinigungslösung (Spülmittel) verwendet werden.



WARNUNG: Die Verwendung von Benzin oder anderen Lösungsmitteln ist unzulässig. Nie ätzende Präparate für die Reinigung der Kunststoffteile verwenden.



WARNUNG: Vermeiden Sie unbedingt das Wasser in die Maschine (z.B. durch die Lüftungsschlitze) eindringt.

WICHTIG! Um einen sicheren Betrieb des Elektrowerkzeuges und seine Zuverlässigkeit zu gewährleisten, sollten alle Arbeiten zur Reparatur, Wartung und Regelung (einschl. auch die Überprüfung und das Auswechseln der Bürsten) nur in den zuständigen Kundendiensten von SPARKY beim Verwenden von Originalersatzteilen durchgeführt werden.

Garantie

Die Garantiefrist der SPARKY-Elektrowerkzeuge wird im Garantieschein bestimmt.

Schäden, die auf natürliche Abnutzung, Überlastung oder unsachgemäße Handhabung zurückzuführen sind, bleiben von der Garantie ausgeschlossen.

Schäden, die durch Material- und/oder Herstellerfehler entstanden sind, werden unentgeltlich durch Ersatzlieferung oder Reparatur beseitigt.

Beanstandungen bezüglich eines beschädigten SPARKY-Elektrowerkzeugs können nur anerkannt werden, wenn das Gerät unzerlegt (im ursprünglichen Zustand) dem Lieferanten oder der befugten Kundendienstwerkstatt vorgelegt wird.

Hinweise

Lesen Sie sorgfältig die ganze Betriebsanweisung bevor Sie beginnen, das Erzeugnis zu verwenden.

Der Hersteller behält sich das Recht vor, Verbesserungen und Änderungen in seinen Erzeugnissen einzuführen und die Spezifikationen ohne Voranmeldung zu ändern.

Die Spezifikationen können sich in den verschiedenen Ländern unterscheiden.

Sommaire

| | |
|--|------|
| Introduction | 18 |
| Données techniques | 20 |
| Avertissements de sécurité généraux pour l'outil..... | 21 |
| Avertissements de sécurité lors du travail avec des agitateurs | 22 |
| Présentation de la machine | A/23 |
| Indications de travail | 24 |
| Maintenance | 25 |
| Garantie | 26 |

DEBALLAGE

Grâce aux techniques modernes de fabrication, il est improbable que votre outil soit défectueux ou qu'une pièce soit manquante. Si toutefois vous trouvez une anomalie, n'utilisez pas l'outil avant que les pièces aient été remplacées ou le défaut corrigé. Ne pas observer cette règle pourrait causer des blessures graves.

MONTAGE

L'agitateur est livré monté dans son emballage.

I - Introduction

Votre nouvel outil a été conçu et produit selon tous les standards de qualité pour répondre aux exigences les plus élevées. Son exploitation est facile et sécurisée. Et avec une utilisation correcte il vous servira longtemps.

AVERTISSEMENT!



Lire attentivement cette notice originale avant d'utiliser votre nouvel outil. Prêter attention aux sections «Avertissement». Votre outil électrique possède des caractéristiques qui facilitent votre travail.

Cet instrument a été conçu et produit selon toutes les exigences de sécurité pour que son usage et son entretien soient faciles.



Ne pas jeter les outils électroportatifs avec les ordures ménagères!

Les déchets provenant d'outils électroportatifs ne doivent pas être ramassés avec les ordures ménagères. Prière de recycler sur les lieux qui y sont spécialement destinés. Contacter les autorités locales ou un représentant pour des consultations concernant le recyclage.

RESPECT DE L'ENVIRONNEMENT



Récupération des matières premières plutôt qu'élimination des déchets. En vue à la protection de l'environnement, les appareils, comme d'ailleurs leurs accessoires et emballages, doivent pouvoir suivre chacun une voie de recyclage appropriée. Nos pièces en matières artificielles ont été marquées en vue d'un recyclage sélectif des différents matériaux.

LÉGENDE

L'outil électrique porte une plaque décrivant les signes spéciaux. Ils apportent une information importante quant au produit ou des instructions d'utilisation.



Double isolation pour une meilleure sécurité.



Conforme aux directives européennes applicables.



Conforme aux exigences des règlements de l'Union douanière.



En conformité avec les exigences des standards ukrainiens.




Lisez la notice originale.

YYYY-Www Période de production, où, les symboles variables sont les suivants :
YYYY - année de production,
ww – le numéro de la semaine du calendrier.

BM Agitateur

Données techniques

| Model | BM 1380CEplus | BM2 1380CEplus |
|---|---------------------------|--|
| Puissance absorbée | 1260 W | 1260 W |
| Vitesse à vide | 150-300 min ⁻¹ | 150-300min ⁻¹ /200-520min ⁻¹ |
| Transmission synchronisée à deux vitesses | non | oui |
| Ajustage électronique des tours | oui | oui |
| Stabilisateur électronique des tours | oui | oui |
| Connecteur de courant, protection thermique | oui | oui |
| Protection contre l'auto-mise en marche | oui | oui |
| Filetage de l'arbre | M14 | M14 |
| Poids (EPTA procédure 01/2014) | 5.0 kg | 5.1 kg |
| Classe de protection (EN 60745-1)  | II | II |

INFORMATIONS SUR LES BRUITS ET LES VIBRATIONS

Valeurs de mesure obtenues conformément à la EN 60745.

Informations sur le bruit

| | | |
|--|-------------|-------------|
| Le mesure réelle (A) de niveau de pression acoustique L_{pA} | 84.0 dB (A) | 84.0 dB (A) |
| Incertitude K_{pA} | 3.0 dB (A) | 3.0 dB (A) |
| Le mesure réelle (A) de niveau d'intensité acoustique L_{wA} | 95.0 dB (A) | 95.0 dB (A) |
| Incertitude K_{wA} | 3.0 dB (A) | 3.0 dB (A) |

Porter une protection acoustique!

Informations sur les vibrations *

Valeurs totales des vibrations (somme vectorielle de trois sens) établies conformément à EN 60745

Mélange de solutions en densité moyenne

| | | |
|------------------------------------|-----------------------|-----------------------|
| Valeur d'émission vibratoire a_h | <1.5 m/s ² | <1.5 m/s ² |
| Incertitude K | 2.0 m/s ² | 2.0 m/s ² |

* Les valeurs des vibrations sont déterminées conformément à la 6.2.7 EN 60745.

L'amplitude d' l'accélération indiquée dans ces instructions d'utilisation a été mesurée suivant les méthodes de mesurage conformément à la norme EN 60745 et peut être utilisée pour une comparaison d'appareils. Le niveau de vibration peut être utilisé pour faire une estimation provisoire du degré d'influence vibratoire.

Le niveau de vibration annoncé concerne la fonction principale de l'outil. Dans des cas où l'outil est destinée à une autre utilisation ou avec d'autres accessoires, ou s'il est mal entretenu, le niveau de vibration peut s'écarter de celui qui a été indiqué. Si c'est le cas, le degré d'influence peut fortement augmenter au cours de l'utilisation

Pour une estimation précise de l'influence vibratoire pendant un certain temps d'utilisation, il est recommandé de prendre aussi en considération les espaces de temps pendant lesquels l'appareil est éteint ou sous tension, mais pas vraiment utilisé. Ceci peut réduire considérablement l'influence vibratoire pendant toute la durée du travail.

Entretenez l'outil et ses accessoires en bon état. Gardez vos mains chaudes au cours de son utilisation – cela va diminuer les conséquences négatives lorsque vous travaillez à des hauts degrés de vibrations.

Les poussières de matériaux tels que peintures contenant du plomb, certains bois, minéraux ou métaux, peuvent être nuisibles à la santé. Toucher ou aspirer les poussières peut entraîner des réactions allergiques et/ou des maladies respiratoires auprès de l'utilisateur ou de personnes se trouvant à proximité.

- Veillez à bien aérer la zone de travail.
 - Il est recommandé de porter un masque respiratoire de la classe de filtre P2.
- Respectez les règlements en vigueur dans votre pays spécifiques aux matériaux à traiter.

Avertissements de sécurité généraux pour l'outil



AVERTISSEMENT! Lire tous les avertissements de sécurité et toutes les instructions. Ne pas suivre les avertissements et instructions peut donner lieu à un choc électrique, un incendie et/ou une blessure sérieuse.

Conserver tous les avertissements et toutes les instructions pour pouvoir s'y reporter ultérieurement.

Le terme «outil» dans les avertissements fait référence à votre outil électrique alimenté par le secteur (avec cordon d'alimentation) ou votre outil fonctionnant sur batterie (sans cordon d'alimentation).

1) Sécurité de la zone de travail

- Conserv**er la zone de travail propre et bien éclairée. Les zones en désordre ou sombres sont propices aux accidents.
- Ne pas faire fonctionner les outils électriques en atmosphère explosive**, par exemple en présence de liquides inflammables, de gaz ou de poussières. Les outils électriques produisent des étincelles qui peuvent enflammer les poussières ou les fumées.
- Maintenir les enfants et les personnes présentes à l'écart pendant l'utilisation de l'outil.** Les distractions peuvent vous faire perdre le contrôle de l'outil.

2) Sécurité électrique

- Il faut que les fiches de l'outil électrique soient adaptées au socle. Ne jamais modifier la fiche de quelque façon que ce soit. Ne pas utiliser d'adaptateurs avec des outils à branchement de terre.** Des fiches non modifiées et des socles adaptés réduiront le risque de choc électrique.
- Eviter tout contact du corps avec des surfaces reliées à la terre** telles que les

tuyaux, les radiateurs, les cuisinières et les réfrigérateurs. Il existe un risque accru de choc électrique si votre corps est relié à la terre.

- Ne pas exposer les outils à la pluie ou à des conditions humides.** La pénétration d'eau à l'intérieur d'un outil augmentera le risque de choc électrique.
- Ne pas maltraiter le cordon. Ne jamais utiliser le cordon pour porter, tirer ou débrancher l'outil. Maintenir le cordon à l'écart de la chaleur, du lubrifiant, des arêtes ou des parties en mouvement.** Des cordons endommagés ou emmêlés augmentent le risque de choc électrique.
- Lorsqu'on utilise un outil à l'extérieur, utiliser un prolongateur adapté à l'utilisation extérieure.** L'utilisation d'un cordon adapté à l'utilisation extérieure réduit le risque de choc électrique.
- Si l'usage d'un outil dans un emplacement humide est inévitable, utiliser une alimentation protégée par un dispositif à courant différentiel résiduel (RCD).** L'usage d'un RCD réduit le risque de choc électrique.

3) Sécurité des personnes

- Rester vigilant, regarder ce que vous êtes en train de faire et faire preuve de bon sens dans votre utilisation de l'outil. Ne pas utiliser un outil lorsque vous êtes fatigué ou sous l'emprise de drogues, d'alcool ou de médicaments.** Un moment d'inattention en cours d'utilisation d'un outil peut entraîner des blessures graves des personnes.
- Utiliser un équipement de sécurité. Toujours porter une protection pour les yeux.** Les équipements de sécurité tels que les masques contre les poussières, les chaussures de sécurité antidérapantes, les casques ou les protections acoustiques utilisés pour les conditions appropriées réduiront les blessures de personnes.
- Eviter tout démarrage intempestif. S'assurer que l'interrupteur est en position arrêt avant de brancher l'outil au secteur et/ou au bloc de batteries, de le ramasser**

ou de le porter. Porter les outils en ayant le doigt sur l'interrupteur ou brancher des outils dont l'interrupteur est en position marche est source d'accidents.

- d) **Retirer toute clé de réglage avant de mettre l'outil en marche.** Une clé laissée fixée sur une partie tournante de l'outil peut donner lieu à des blessures de personnes.
 - e) **Ne pas se précipiter. Garder une position et un équilibre adaptés à tout moment.** Cela permet un meilleur contrôle de l'outil dans des situations inattendues.
 - f) **S'habiller de manière adaptée. Ne pas porter de vêtements amples ou de bijoux. Garder les cheveux, les vêtements et les gants à distance des parties en mouvement.** Des vêtements amples, des bijoux ou les cheveux longs peuvent être pris dans des parties en mouvement.
 - g) **Si des dispositifs sont fournis pour le raccordement d'équipements pour l'extraction et la récupération des poussières, s'assurer qu'ils sont connectés et correctement utilisés.** Utiliser des collecteurs de poussière peut réduire les risques dus aux poussières.
- 4) Utilisation et entretien de l'outil**
- a) **Ne pas forcer l'outil. Utiliser l'outil adapté à votre application.** L'outil adapté réalisera mieux le travail et de manière plus sûre au régime pour lequel il a été construit.
 - b) **Ne pas utiliser l'outil si l'interrupteur ne permet pas de passer de l'état de marche à arrêt et vice versa.** Tout outil qui ne peut pas être commandé par l'interrupteur est dangereux et il faut le réparer.
 - c) **Débrancher la fiche de la source d'alimentation en courant et/ou le bloc de batteries de l'outil avant tout réglage, changement d'accessoires ou avant de ranger l'outil.** De telles mesures de sécurité préventives réduisent le risque de démarrage accidentel de l'outil.
 - d) **Conserver les outils à l'arrêt hors de la portée des enfants et ne pas permettre à des personnes ne connaissant pas l'outil ou les présentes instructions de le faire fonctionner.** Les outils sont dangereux entre les mains d'utilisateurs novices.
 - e) **Observer la maintenance de l'outil. Vérifier qu'il n'y a pas de mauvais alignement ou de blocage des parties mobiles, des pièces cassées ou toute autre condition pouvant affecter le fonctionnement de l'outil. En cas de dommages, faire répa-**

rer l'outil avant de l'utiliser. De nombreux accidents sont dus à des outils mal entretenus.

- f) **Garder affûtés et propres les outils permettant de couper.** Des outils destinés à couper correctement entretenus avec des pièces coupantes tranchantes sont moins susceptibles de bloquer et sont plus faciles à contrôler.
 - g) **Utiliser l'outil, les accessoires et les lames etc., conformément à ces instructions, en tenant compte des conditions de travail et du travail à réaliser.** L'utilisation de l'outil pour des opérations différentes de celles prévues pourrait donner lieu à des situations dangereuses.
- 5) Maintenance et entretien**
- a) **Faire entretenir l'outil par un réparateur qualifié utilisant uniquement des pièces de rechange identiques.** Cela assurera que la sécurité de l'outil est maintenue.

Avertissements de sécurité lors du travail avec des agitateurs



Pendant le travail utiliser des moyens de protection des yeux pour vous protéger des particules volantes. Porter des lunettes de protection.



Prévoir des précautions contre le risque d'aspiration de poussière. Les matériaux percés peuvent contenir des composants toxiques.

- Il est recommandé d'utiliser des gants de protection.



AVERTISSEMENT: Avant de brancher l'alimentation de la machine vérifier la conformité de la tension du réseau avec les données indiquées sur le tableau signalétique de la machine.

- Le branchement sur une source dont la tension d'alimentation est plus haute que la tension recommandée pour la machine peut provoquer un électrochoc subi par l'opérateur ainsi que la détérioration de la machine.
- En cas de doute ne pas brancher la fiche de la machine dans la prise.
- Le branchement sur une source dont la tension d'alimentation est plus basse que la tension recommandée pour la machine peut provoquer l'endommagement du moteur.
- Afin d'éviter une surchauffe éventuelle dérouler complètement le câble de rallonge à tambour.
- Si l'utilisation d'une rallonge est nécessaire, vérifier si la section des fils est suffisante pour le courant absorbé par la machine ainsi que le bon état de la rallonge.
- N'utilisez pas l'appareil électrique lorsque son câble est endommagé. Ne touchez pas le câble endommagé et enlevez la fiche de la prise si le câble vient à subir un dommage dans le courant du travail. Les câbles endommagés augmentent le risque d'électrocution.
- L'appareil doit être utilisé uniquement pour les travaux pour lesquels il a été prévu. Toute autre utilisation, différente que celle décrite dans la présente instruction, doit être considérée comme abusive. Le producteur décline toute responsabilité en cas de dommage ou de blessure causée par une utilisation abusive, cette responsabilité étant alors entièrement portée par l'utilisateur.
- Afin d'utiliser l'appareil correctement, vous devez respecter les règles de sécurité, les consignes générales et celles concernant l'exploitation qui figurent dans le présent document. Tous les utilisateurs doivent avoir pris connaissance de cette instruction d'utilisation et être informés sur les risques potentiels lors du travail avec l'appareil électrique. Les enfants et les personnes ne possédant pas la force physique nécessaire ne doivent pas utiliser l'appareil. Les enfants se trouvant dans la zone de travail doivent être sous une surveillance incessante. Il est indispensable que vous preniez également des mesures de sécurité préalables. Ceci est également valable pour les principales consignes concernant la salubrité du travail et la sécurité.



AVERTISSEMENT: Arrêtez toujours l'appareil et débranchez-le du réseau avant d'effectuer sur celui-ci tout réglage et opération de service ou d'entretien, de même qu'en cas de baisse de tension du courant dans le secteur.

- Ne jamais brancher la machine sous charge et ne l'abandonner qu'après l'arrêt définitif de la rotation.
- Toujours bien tenir l'outil électroportatif des deux mains et veiller à toujours garder une position de travail stable. Avec les deux mains, l'outil électroportatif est guidé de manière plus sûre.
- Lors du travail, toujours tenir l'outil électroportatif des deux mains et veiller à toujours garder une position de travail stable.
- Au cas où l'appareil tomberait dans le produit à malaxer, retirer immédiatement la fiche de la prise de courant et faire contrôler l'outil électroportatif par le service après-vente. Du produit à malaxer qui entrerait dans l'outil électroportatif peut causer des dégâts et entraîner un choc électrique.
- Toujours tenir propres les ouïes de ventilation de l'outil lors du travail en milieu poussiéreux. S'il s'avère nécessaire d'en nettoyer la poussière, commencer par débrancher la fiche du câble d'alimentation de la prise de courant, et utiliser des outils non métalliques pour le nettoyage de la poussière, en faisant attention à ne pas endommager les parties inférieures de l'outil.
- Tenez le câble d'alimentation électrique de l'appareil à l'écart de l'aire de travail de celui-ci.
- Le producteur décline toute responsabilité en cas de modifications apportées à l'appareil électrique qui ont endommagé celui-ci.
- L'appareil électrique ne doit être utilisé à l'extérieur lorsqu'il pleut, dans un milieu humide (après la pluie) ou à proximité de liquides et de gaz facilement inflammables. Le lieu de travail doit être bien éclairé.

Présentation de la machine

Avant de commencer le travail avec la machine il faut connaître tous les spécificités d'exploitation et les consignes de sécurité.

Utiliser la machine et ses accessoires conformément à leur destination. Toute autre utilisation est interdite.

1. Tampons en gomme
2. Interrupteur
3. Régulateur électronique des tours
4. Bouton de blocage de l'interrupteur

5. Câble à fiche
6. Malaxeur
7. Arbre du moteur
8. Collet de broche
9. Commutateur de vitesses (BM2 1380CEplus)
10. Poignées
11. Ouies de ventilation
12. Clé à écrous, ouvert SW 22
13. Diedo 19 mm

Indications de travail

La machine doit être alimentée du réseau monophasé de courant alternatif. Elle peut être branchée sur des prises sans borne de terre car l'isolement est double suivant les normes EN 60745-1 et IEC 60745. Pour ce qui est des interférences radio, il est conforme aux la directive sur la compatibilité électromagnétique.

L'outil électroportatif peut être utilisé:

- pour des travaux industriels et de ménage;
- pour le gâchage de matières liquides et semi-liquides à faible viscosité, et notamment: peintures, vernis, colles, enduits légers, etc.;
- pour son usage avec des malaxeurs et des accessoires cités à l'instruction ou recommandés par le producteur.

AVANT DE COMMENCER LE TRAVAIL

- Vérifier si la tension du réseau d'alimentation est conforme aux données indiquées sur le tableau signalétique de la machine.
- Vérifier la position de l'interrupteur. La machine ne doit pas être branchée ou débranchée qu'avec l'interrupteur en position déclenchée. Si on met la fiche dans la prise avec l'interrupteur en position Marche, la machine va démarrer aussitôt avec tous les risques d'accident accompagnants.
- Vérifier l'état du câble d'alimentation et la fiche. Le câble d'alimentation endommagé devra être remplacé par le fabricant ou un spécialiste autorisé afin d'éviter les risques d'un remplacement non approprié.
- Avant de procéder au travail, vérifier l'outil électroportatif et le malaxeur pour des panes, la débalance et les vibrations. Effectuer une mise en marche d'épreuve.



AVERTISSEMENT: Arrêtez toujours l'appareil et débranchez-le du réseau avant d'effectuer sur celui-ci tout réglage et opération de service ou d'entretien, de même qu'en cas de baisse de tension du courant dans le secteur.

MARCHE - ARRÊT

Mise en marche momentanée

Marche: Presser l'interrupteur 2.

Arrêt: Relâcher l'interrupteur 2.

Travail prolongé

Marche: Presser l'interrupteur 2, et dans une position maintenue, bloquer par le bouton 4.

Arrêt: Presser l'interrupteur 2 une fois, et relâcher immédiatement.

RÉGLAGE ÉLECTRONIQUE GRADUEL DES VITESSES DE ROTATION

Presser doucement l'interrupteur 2 afin d'actionner l'agitateur à une basse vitesse de rotation, croissant graduellement jusqu'à la vitesse maximale, par l'augmentation de la pression sur l'interrupteur avant d'arriver à la butée.

SÉLECTION DES VITESSES DE ROTATION

La vitesse nécessaire de rotation est réglée à l'avance, en tournant le disque du régulateur 3 dans le sens de la direction de la flèche ou dans la direction "+" pour en augmenter la vitesse, et dans le sens inverse de la direction de la flèche ou dans la direction "-" pour la réduire. Ainsi, un régime optimal de travail est assuré.

L'agitateur BM2 1380CE Plus est muni d'un réducteur à deux vitesses. Le changement des vitesses est effectué en tournant l'interrupteur 9 à 180° dans le sens de la direction de la flèche indiquée sur l'interrupteur (dans le sens inverse des aiguilles d'une montre, lorsque l'outil est arrêté).

PLACEMENT OU REMPLACEMENT DE L'OUTIL DE TRAVAIL

Retirer la fiche du câble d'alimentation de la prise de courant, si elle n'était pas retirée.

Visser l'agitateur 6 à la main dans le sens des aiguilles d'une montre.

Dévisser d'un mouvement brusque l'agitateur 6 par une clé à écrous SW22 dans le sens inverse

des aiguilles d'une montre. Si l'agitateur est serré un peu plus, utiliser une clé à écrous 19 mm pour fixer l'arbre 7 dans la face de clé 13.

RECOMMANDATIONS

L'agitateur continue à tourner pendant une courte période après son arrêt.

Si l'agitateur tournant touche une surface, une poussée inverse pourra en être provoquée.

Brancher l'outil électroportatif en appuyant légèrement sur la gâchette de l'interrupteur 2 jusqu'à l'obtention de la vitesse maximale de rotation, mais uniquement après l'immersion de l'agitateur dans la matière à malaxer.

PROTECTION CONTRE LES SURCHARGES

En cas de petites surcharges continues, la protection thermique s'actionne et le moteur s'arrête. Pour la mise en régime de travail, l'interrupteur doit être arrêté et puis après un refroidissement de l'outil pour 3-5 minutes, de nouveau mis en marche.

Lors de grandes surcharges d'une courte durée s'enclenche une protection contre le courant qui interrompt l'alimentation de la machine et rend celle-ci inutilisable. Dans ce cas-la, pour le remettre en marche, il est nécessaire de déverrouiller l'interrupteur de démarrage, et, ensuite, le brancher a nouveau.

En cas de manque de tension (ou de baisse momentanée de la tension pour un temps $t > 0,5$ s) et si l'interrupteur de démarrage de l'outil est activé, au moment de la restitution de la tension l'outil devrait rester non-opérant (ne pas se mettre en marche). Dans ce cas-la, pour le remettre en marche, il est nécessaire de déverrouiller l'interrupteur de démarrage, et, ensuite, le brancher a nouveau.

ACCESSOIRES QUI PEUVENT ÊTRE UTILISÉS AVEC LA MACHINE

- Des malaxeurs à hélice à droite, avec filetage extérieur M14 et diamètre maximal du corps de travail $\varnothing 140$ mm.
- Malaxeur SM120x570
- Malaxeur SM121x570

L'équipement de l'outil ne doit pas comprendre obligatoirement les agitateurs SM120x570 à SM121x570

Maintenance



AVERTISSEMENT: Arrêtez toujours l'appareil et débranchez-le du réseau avant d'effectuer sur celui-ci tout réglage et opération de service ou d'entretien.

REEMPLACEMENT DES BALAIS

L'appareil est doté de balais qui se déconnectent automatiquement. Lorsque les balais sont usés, l'appareil se déconnecte de lui-même. Dans un tel cas, il faut remplacer à la fois les deux balais par des balais d'origine de SPARKY pour l'entretien de l'appareil dans le cadre de la garantie ou en dehors de celle-ci.

EXAMEN GENERAL

Vérifiez régulièrement tous les éléments de fixation pour vous assurer qu'ils sont solidement serrés. Si quelque vis s'est desserrée, resserrez-la immédiatement afin d'éviter tout risque. Si le câble d'alimentation est endommagé, il doit être remplacé par le producteur ou un spécialiste agréé par celui-ci afin d'éviter les éventuels risques liés à son remplacement.

NETTOYAGE

Pour assurer un fonctionnement sécurisé, entretenez toujours l'appareil et ses orifices de ventilation propres.

Vérifiez régulièrement si dans les orifices de ventilation du moteur électrique ou autour des commutateurs il n'y a pas de poussière ni de corps étrangers. Utilisez une brosse douce et/ou un jet d'air comprimé pour éliminer la poussière accumulée à ces endroits. Afin de protéger vos yeux, lors des opérations de nettoyage, portez des lunettes de protection.

Si le boîtier de l'appareil a besoin d'être nettoyé, essuyez-le à l'aide d'un chiffon doux humide. Vous pouvez utiliser un produit de nettoyage peu agressif.



AVERTISSEMENT: Il est interdit d'utiliser de l'alcool, de l'essence ou d'autres solvants. N'utilisez jamais des produits agressifs pour le nettoyage des pièces en matière plastique.



AVERTISSEMENT: Ne pas permettre à de l'eau à entrer en contact avec l'appareil.

AVIS IMPORTANT! Afin d'assurer la sécurité du travail avec l'appareil et le fonctionnement fiable de celui-ci, toutes les opérations de réparation, d'entretien et de réglage (y compris la vérification de l'état des balais et leur remplacement) doivent être effectuées dans les centres d'entretien agréés de SPARKY avec l'utilisation exclusive de pièces d'origine.

Garantie

La période de garantie des outils électroportatifs SPARKY est définie dans le contrat de garantie.

La garantie ne couvre pas les pannes apparues suite à l'usure naturelle, une surcharge ou une mauvaise exploitation.

Les pannes survenues pour cause de matériaux défectifs et/ou d'erreurs de fabrication seront réparées gratuitement ou le produit sera échangé.

Les réclamations pour un instrument SPARKY défectueux seront honorées si la machine est retournée au livreur ou est présentée à un service après-vente agréé assemblé et dans son état original (assemblée).

Notes

Lire attentivement les instructions avant d'utiliser ce produit.

Le producteur retient son droit d'améliorer ses produits et de changer les spécifications sans avis spécial.

Les spécifications peuvent varier selon le pays.

Indice

| | |
|--|------|
| Introduzione | 27 |
| Dati tecnici | 29 |
| Istruzioni generali di sicurezza nel lavoro con elettroutensili | 30 |
| Istruzioni supplementari di sicurezza nel lavoro con miscelatori | 31 |
| Prendere visione dell'elettroutensile | A/32 |
| Istruzioni per l'uso | 32 |
| Manutenzione | 34 |
| Garanzia | 34 |

PRIMA DELL'USO

Prima dell'uso verificare la presenza di tutti i componenti e degli accessori elencati. In caso di mancanze o apparenti difetti rivolgersi al rivenditore specializzato. L'inosservanza di tale raccomandazione potrebbe provocare gravi incidenti.

ASSEMBLAGGIO

Il miscelatore viene fornito imballato e montato.

I - Introduzione

Questo utensile SPARKY supererà le Vostre aspettative. La produzione secondo i rigorosi standard di qualità SPARKY assicura un'ottima prestazione. Se utilizzato correttamente, l'utensile risulterà maneggevole e sicuro, e garantirà un uso duraturo.

AVVERTENZA:



Leggere attentamente tutte le istruzioni prima dell'utilizzo dell'utensile. Leggere con cura soprattutto le parti introdotte da "Avvertenza". Questo utensile SPARKY presenta numerose caratteristiche che faciliteranno il Suo lavoro. Sicurezza, qualità ed affidabilità sono punti chiave nello sviluppo di questo utensile, e lo rendono semplice nell'uso e nella manutenzione.



Non smaltire elettroutensili insieme a rifiuti domestici!

Residui di prodotti elettrici devono essere smaltiti separatamente dai rifiuti domestici e sottoposti ad un riciclaggio ecologico. Si prega di informarsi presso le autorità locali o i rivenditori specializzati circa il più vicino luogo di raccolta.

RISPETTO DELL'AMBIENTE



Macchina, accessori ed imballaggio devono essere destinati ad una riutilizzazione ecologica per il recupero di materie prime.

I componenti in plastica sono contrassegnati per relativo riciclaggio.

SIMBOLI

L'etichetta che si trova sulla macchina contiene alcuni simboli. Questi forniscono importanti informazioni sull'utensile o istruzioni sull'uso dello stesso.



Doppio isolamento per una protezione supplementare.



Corrisponde alle direttive europee applicabili.



Corrisponde alle esigenze dei regolamenti dell'unione doganale.



Conforme alle esigenze dei documenti normativi ucraini.




Prendere conoscenza delle istruzioni per l'uso.

YYYY-Www Periodo di produzione, ove i simboli variabili sono:
YYYY – l'anno di produzione,
ww – la settimana di calendario consecutiva

BM Miscelatore

Dati tecnici

| Modello | BM 1380CEplus | BM2 1380CEplus |
|---|---------------------------|--|
| Potenza assorbita | 1260 W | 1260 W |
| Numero di giri a vuoto | 150-300 min ⁻¹ | 150-300min ⁻¹ /200-520min ⁻¹ |
| Trasmissione sincronizzata a due velocità | no | si |
| Regolazione elettronica dei giri | si | si |
| Elettronica costante | si | si |
| Connettore elettrico, protezione termica | si | si |
| Protezione antirivviamento | si | si |
| Filettatura di connessione del mandrino | M14 | M14 |
| Peso (EPTA procedura 01/2014) | 5,0 kg | 5,1 kg |
| Classe di protezione (EN 60745-1)  | II | II |

INFORMAZIONI SUL RUMORE E SULLE VIBRAZIONI

I valori sono stati misurati secondo la norma EN 60745.

Emissione acustica

| | | |
|--|-------------|-------------|
| A- livello di pressione sonora ponderata L _{pA} | 84,0 dB (A) | 84,0 dB (A) |
| Indeterminazione K _{pA} | 3,0 dB (A) | 3,0 dB (A) |
| A-livello di potenza sonora ponderata L _{wA} | 95,0 dB (A) | 95,0 dB (A) |
| Indeterminazione K _{wA} | 3,0 dB (A) | 3,0 dB (A) |

Usare mezzi per protezione dal rumore!

Emissione di vibrazioni *

Il valore totale delle vibrazioni (somma vettoriale lungo i tre assi), determinato conformemente alla norma EN 60745

| | | |
|---|-----------------------|-----------------------|
| Miscelatura di soluzione di media densità | | |
| Valore delle vibrazioni emesse a _p | <1,5 m/s ² | <1,5 m/s ² |
| Indeterminazione K | 2,0 m/s ² | 2,0 m/s ² |

* Le vibrazioni sono state determinate in conformità del punto 6.2.7 della norma EN 60745.

Il livello di vibrazione sopra indicato è stato definito seguendo il metodo di misurazione riportato nella normativa EN 60745 e può essere utilizzato per confrontare tra di loro diversi elettrotensili. Inoltre è adatto per effettuare una stima provvisoria del livello di esposizione.

Il livello di vibrazione si riferisce alle modalità d'uso principali dell'utensile. Tuttavia, se utilizzato per scopi diversi da quelli previsti, con punte poco stabili o senza adeguata manutenzione, il livello di vibrazione può variare. Ciò può aumentare sensibilmente il livello di esposizione durante il lavoro.

Per una precisa definizione del livello di esposizione dovrebbe essere preso in considerazione anche l'arco di tempo in cui l'utensile è spento o funzionante ma non in uso. Ciò può ridurre sostanzialmente il livello di esposizione durante il lavoro.

Utilizzare l'utensile e gli accessori con cura, e maneggiarlo mantenendo le mani calde così da ridurre gli effetti dannosi dell'elevato livello di vibrazioni.

Polvere derivante da materiali come vernici contenenti particelle di piombo, alcuni tipi di legno, minerali e metallo potrebbe essere nociva. Il contatto o l'inalazione di tali polveri potrebbe causare reazioni allergiche e/o problemi al sistema respiratorio dell'utente o di terzi.

- Tenere l'area di lavoro ben pulita e ventilata.
- Si consiglia l'uso di una mascherina o filtro di classe P2.

Osservare le direttive nazionali relative al materiale da lavorare.

Avvertenze generali di pericolo per elettroutensili



AVVERTENZA! Leggere tutte le istruzioni d'uso e le avvertenze di sicurezza. L'inosservanza delle istruzioni seguenti può causare folgorazioni, incendi e/o gravi danni a persone.

Conservare con cura queste istruzioni.

Il termine "utensile" in tutte le avvertenze successive si riferisce sia agli utensili collegati alla rete elettrica (con cavo di alimentazione) che agli utensili a batteria (senza cavo).

1) Area di lavoro

- Mantenere l'area di lavoro pulita e ben illuminata. Le zone buie ed ingombre di oggetti favoriscono incidenti.
- Non utilizzare l'utensile in presenza di liquidi infiammabili, gas o polvere. Le scintille generate potrebbero infiammare polvere e/o vapore.
- Tenere a distanza bambini e terzi durante il funzionamento. Per una distrazione potreste perdere il controllo dell'utensile.

2) Sicurezza elettrica

- La spina dell'utensile deve essere adatta alla presa utilizzata. Non modificare la spina in alcun modo. Non utilizzare adattatori con gli utensili collegati a terra. L'impiego di una spina integra ed una presa adatta riduce i rischi di folgorazione.
- Evitare di toccare con il corpo le superfici collegate a terra quali tubi, radiatori, forni e frigoriferi. Il rischio di folgorazione aumenta se il corpo è collegato a terra.
- Non esporre l'utensile alla pioggia e all'umidità. La penetrazione d'acqua nell'utensile aumenta il rischio di folgorazione.
- Non utilizzare il cavo per scopi diversi da quello previsto. Non utilizzare il cavo per trasportare o tirare l'utensile, oppure per staccare la spina dalla presa. Tenere il cavo lontano da fonti di calore, olio, parti appuntite o in movimento. Cavi danneggiati o attorcigliati aumentano il rischio di folgorazione.
- Se l'utensile viene utilizzato all'aperto, usare una prolunga adatta all'uso esterno. L'impiego di una prolunga da esterno

riduce il rischio di folgorazione.

- Se il lavoro in un ambiente umido è strettamente necessario, utilizzare una presa protetta da dispositivo a corrente residua. Ciò riduce i rischi di scosse.

3) Sicurezza personale

- L'uso di elettroutensili richiede attenzione e buon senso. Non utilizzare gli utensili se si è stanchi o sotto l'effetto di droghe, alcol o medicinali. Una breve distrazione può provocare gravi danni alle persone.
 - Munirsi di indumenti e dispositivi di protezione. Indossare sempre occhiali da lavoro. L'uso di dispositivi di protezione tra cui mascherina antipolvere, scarpe antiscivolo, casco e protezioni per l'udito riduce il rischio di danni a persone.
 - Evitare l'accensione accidentale. Accertarsi che l'interruttore sia in posizione "OFF" prima di inserire la spina. Se si trasportano gli utensili con il dito sull'interruttore o si inserisce la spina nella presa con l'interruttore in posizione "ON" aumenta il rischio di incidenti.
 - Togliere tutte le chiavi di regolazione prima di accendere l'utensile. Una chiave lasciata inserita in una parte rotante di un utensile può provocare danni a persone.
 - Non utilizzare l'utensile in condizioni estreme. Mantenere sempre l'equilibrio ed i piedi ben appoggiati a terra. Questo consente un maggior controllo dell'utensile in caso di imprevisti.
 - Indossare un abbigliamento adeguato. Non indossare abiti svolazzanti o gioielli. Tenere capelli, vestiti, e guanti lontani dalle parti in movimento. Abiti svolazzanti, gioielli o capelli potrebbero impigliarsi nelle parti in movimento.
 - In presenza di apparecchiature per il collegamento a dispositivi di aspirazione e raccolta delle polveri, accertarsi che essi siano collegati ed utilizzarli correttamente. L'uso di queste apparecchiature può ridurre i rischi causati dalla polvere.
- ## 4) Uso e manutenzione dell'utensile
- Utilizzare l'utensile più adatto per il lavoro da svolgere. L'impiego dell'utensile giusto migliora la qualità del lavoro e la sicurezza.
 - Non utilizzare l'utensile se non è possibile accenderlo e spegnerlo con l'apposito interruttore. Gli utensili che non possono essere controllati con l'interruttore sono pericolosi e devono essere riparati.

- c) **Staccare la spina dall'alimentazione di corrente prima di eseguire regolazioni, cambiare accessori o riporre l'utensile.** *Osservando queste precauzioni si riduce il rischio di accensione accidentale dell'utensile.*
- d) **Riporre gli utensili non utilizzati fuori dalla portata dei bambini e non consentirne l'utilizzo a persone che non conoscono l'utensile o queste istruzioni.** *Nelle mani di persone inesperte gli utensili possono diventare pericolosi.*
- e) **Sottoporre l'utensile a manutenzione. Verificare il corretto allineamento di tutte le parti mobili, controllare che non siano grippate e che non vi siano rotture o altri guasti che potrebbero influire sul funzionamento dell'utensile. Far riparare gli utensili danneggiati prima di riutilizzarli. Molti incidenti sono causati da utensili in pessime condizioni.**
- f) **Tenere le punte e gli strumenti da taglio puliti ed affilati.** *Se sottoposti ad una regolare manutenzione e pulizia consentono di lavorare in modo più preciso e sono maggiormente controllabili.*
- g) **Utilizzare l'utensile, gli accessori, gli attrezzi etc. secondo quanto indicato in queste istruzioni nonché tenendo in considerazione le condizioni di lavoro e il lavoro da eseguire.** *L'impiego di utensili per scopi diversi da quelli per cui sono stati progettati può dare origine a situazioni pericolose.*

5) Manutenzione

- a) **Far riparare l'utensile da personale qualificato che utilizzi solo parti di ricambio originali.** *In caso contrario la sicurezza dell'utensile potrebbe risultare compromessa.*

Istruzioni supplementari di sicurezza nel lavoro con miscelatori



Usare mezzi di protezione della vista durante il lavoro, per proteggersi da corpuscoli volanti. *Indossare occhiali protettivi.*



Prendere precauzioni contro l'inspirazione di polvere. *Alcuni materiali possono contenere ingredienti tossici.*

- È consigliato l'uso di guanti protettivi.



AVVERTENZA: Prima di collegare l'apparecchio elettrico con la rete di alimentazione, accertarsi che la tensione di alimentazione corrisponde a quella riportata sulla targhetta dati tecnici dell'elettroutensile.

- Una sorgente di alimentazione dalla tensione superiore a quella indicata per l'apparecchio elettrico, può causare sia una grave lesione di scossa elettrica all'operatore, sia un guasto all'apparecchio elettrico.
- Se si ha qualsiasi esitazione, non innestare la spina dell'apparecchio nella presa.
- L'uso di una sorgente di alimentazione con tensione inferiore a quella indicata sulla targhetta dati tecnici dell'elettroutensile, danneggerà il motore elettrico.
- Per ovviare all'eventuale surriscaldamento, svolgere sempre completamente il cavo di prolunga con rocchetto.
- Quando si deve usare una prolunga, accertarsi che la sua sezione corrisponde alla corrente nominale dell'elettroutensile usato, nonché dello stato di efficienza della prolunga.



AVVERTENZA: Disinserire sempre l'elettroutensile e disinnestare la spina dalla presa prima di effettuare qualsiasi regolazione, riparazione o manutenzione, e ad abbassamento della tensione.

- Non inserire l'apparecchio sotto carico, e posarlo poi soltanto dopo l'arresto definitivo della rotazione.
- Nel lavorare con l'apparecchio, tenerlo sempre fermamente con ambedue le mani e assumere una posizione stabile. Questo elettro-utensile viene controllato più sicuramente con ambedue le mani.
- Tenere l'elettroutensile a distanza dal corpo, e le mani lontano dalle parti rotanti dell'apparecchio.

- Nel caso in cui l'elettrotensile cadrà nella miscela mescolata, staccare subito la spina e portare l'apparecchio per essere esaminato in un centro assistenza autorizzato. Il materiale penetrato nell'elettrotensile potrebbe causare un guasto e provocare corto circuito.
- Quando si lavora in un ambiente polveroso, i fori di ventilazione dell'apparecchio vanno mantenuti puliti. Se devono essere puliti di polvere, per prima cosa disinserire l'alimentazione, e utilizzare oggetti non metallici per togliere la polvere, stando attenti a non danneggiare i pezzi interni dell'apparecchio.
- Tenere il cordone d'alimentazione fuori della portata operativa dell'apparecchio.
- Non usare l'elettrotensile con cordone guasto. Non toccare il cordone danneggiato e disinnestare la spina dalla presa, se il cordone viene danneggiato durante il lavoro. I cordoni guasti aumentano il rischio di scossa elettrica.
- Usare l'elettrotensile soltanto secondo la sua destinazione d'uso. Qualsiasi altro uso, differente da quello descritto in queste istruzioni, verrà considerato erraneo. La responsabilità per qualsiasi guasto o ferimento che risulta da uso erraneo, cadrà sull'utente, e non sul fabbricante.
- Per sfruttare correttamente questo elettrotensile, si devono rispettare le regole di sicurezza, le istruzioni generali e le istruzioni di funzionamento qui indicate. Tutti gli utenti devono conoscere queste istruzioni d'uso ed essere informati dei potenziali rischi nel lavoro con l'elettrotensile. Bambini e persone fisicamente deboli non devono usare l'elettrotensile. I bambini devono stare sotto continua sorveglianza se si trovano vicino al luogo dove si lavora con l'elettrotensile. È obbligatorio prendere anche precauzioni di sicurezza. Lo stesso concerne pure l'osservanza delle regole principali relative alla salute e alla sicurezza sul posto di lavoro.
- Il fabbricante non sarà tenuto responsabile per modifiche apportate dall'utente all'elettrotensile, o per guasti causati da tali modifiche.
- Non usare l'elettrotensile all'aperto quando piove, in un ambiente umido (dopo una pioggia), o in vicinanza di liquidi o gas infiammabili. Mantenere il posto di lavoro ben illuminato.

Prendere visione dell'elettrotensile

Prima di cominciare a lavorare con l'elettrotensile, prendere conoscenza di tutte le particolarità operative e condizioni di sicurezza.

Impiegare l'elettrotensile e i suoi accessori unicamente secondo la destinazione d'uso. Ogni altro impiego è espressamente vietato.

1. Tamponi di gomma
2. Interruttore
3. Regolatore elettronico dei giri
4. Pulsante di bloccaggio dell'interruttore
5. Cordone con spina
6. Agitatore
7. Mandrino
8. Collo di fissaggio dell'apparecchio
9. Commutatore dei campi di velocità (BM2 1380CEplus)
10. Impugnatura
11. Fori di ventilazione
12. Chiave aperta SW 22
13. Griffa 19mm

Indicazioni sul funzionamento

Questo elettrotensile viene alimentato soltanto di corrente alternata monofase. Avendo l'isolamento doppio conformemente all'EN 60745-1 e all'IEC 60745, esso si può innestare in prese senza piattine di massa. I disturbi radio corrispondono alla Direttiva di compatibilità elettromagnetica.

L'elettrotensile è applicabile:

- per lavori industriali e per uso domestico;
- per mescolare materiali liquidi e semiliquidi a bassa viscosità, per esempio: colori, vernici, colle, intonaci leggeri, ecc.;
- per uso con agitatori ed accessori che sono indicati nel manuale di istruzione, o sono raccomandati dal fabbricante.

PRIMA DI COMINCIARE IL LAVORO

- Controllare che la tensione della rete elettrica corrisponde a quella indicata sulla targhetta dati tecnici dell'elettrotensile.
- Verificare in che posizione si trova l'interruttore. Innestare in e disinnestare l'elettrotensile dalla presa della rete soltanto ad interruttore disinserito. Se la spina viene innestata nella

presa mentre l'interruttore è nella posizione inserita, l'elettrotensile si metterà subito in moto, cosa che potrebbe causare un infortunio.

- Accertarsi dello stato di efficienza del cordone d'alimentazione e della spina. Se il cordone è danneggiato, la sostituzione deve essere eseguita dal fabbricante o da un suo specialista di centro assistenza, per evitare i pericoli che risulterebbero in seguito alla sostituzione.
- Prima di cominciare il lavoro controllare l'elettrotensile e l'agitatore per guasti, sbilanciamento o vibrazioni. Effettuare un avviamento sperimentale.



AVVERTENZA: Spegnerne sempre l'elettrotensile e disinnestare la spina dalla presa prima di fare qualsiasi regolazione, riparazione o manutenzione, e ad abbassamento della tensione d'alimentazione.

AVVIAMENTO-ARRESTO

Messa in moto per breve tempo

Avviamento: Premere l'interruttore 2.

Arresto: Rilasciare l'interruttore 2.

Lavoro continuativo

Avviamento: Premere l'interruttore 2 e, tenendolo premuto, bloccarlo con il pulsante 4.

Arresto: Premere l'interruttore 2 una sola volta, e rilasciarlo subito.

REGOLAZIONE ELETTRONICA CONTINUA DEI GIRI

Premendo leggermente l'interruttore 2, si ottiene l'azionamento del miscelatore a numero basso di giri, che aumenta dolcemente fino al massimo l'aumento della pressione sull'interruttore, sino a raggiungere la posizione finale.

SELEZIONE DEL NUMERO DI GIRI

La necessaria frequenza di rotazione viene predisposta girando il disco del regolatore 3 in direzione della freccia, o verso il segno "+" per aumentare i giri, e in senso contrario alla freccia, oppure verso il segno "-" per ridurli. In tale modo si ottiene un regime di funzionamento ottimale. Il miscelatore BM2 1380CE Plus è munito di un riduttore a due velocità. Il cambio di velocità avviene girando l'interruttore 9 a 180° nel senso della freccia indicata, marcata sul commutatore (senso antiorario ad apparecchio fermo).

ATTACCO O CAMBIO DELLA PUNTATA

Disinnestare la spina dalla presa, se è innestata.

Avvitare a mano l'agitatore 6 in senso orario.

Svitare l'agitatore 6 mediante la chiave SW22 in senso antiorario. Se l'agitatore è troppo stretto, usare per il blocco del mandrino 7 nell'area della griffa 13 una chiave supplementare della misura di 19mm.

CONSIGLI

L'agitatore continua a girare ancora per qualche tempo dopo lo spegnimento.

Se l'agitatore rotante tocca una superficie, può causare una spinta contraria.

Accendere l'elettrotensile premendo dolcemente sulla levetta di comando dell'interruttore 2 fino a raggiungere il numero massimo di giri solo dopo l'immersione dell'agitatore nella miscela mescolata.

PROTEZIONE DA SOVRACCARICO

- A piccoli sovraccarichi continuativi si mette in funzione la protezione termica, la quale spegne il motore. Per rimettere in regime di lavoro è necessario disinserire e reinserire l'interruttore, dopo che l'apparecchio si è raffreddato per 3-5 minuti.

- A sovraccarichi di breve durata si attiva la protezione corrente, la quale interrompe l'alimentazione della macchina, rendendola inoperabile. Per far riprendere il funzionamento normale all'elettrotensile in tale caso occorre impostare l'interruttore di rete su OFF, e quindi reinserirlo su ON.

- Nel caso di interruzione della corrente elettrica nella rete (o della sua caduta momentanea per un tempo $t > 0,5s$), con l'interruttore ON/OFF dell'elettrotensile fissato nella posizione inserita, quando l'alimentazione dalla rete viene ripresa, l'elettrotensile deve non funzionare (non avviarsi). Per far riprendere il funzionamento normale all'elettrotensile in tale caso occorre impostare l'interruttore di rete su OFF, e quindi reinserirlo su ON.

ACCESSORI CHE POSSONO ESSERE USATI CON QUESTO ELETTROTENSILE

Si possono usare agitatori con rotazione a destra, filettatura di connessione esterna, e diametro massimo della punta $\varnothing 140mm$.

- Agitatore SM120x570

- Aggitatore SM121x570

Non è necessario che siano in dotazione dell'apparecchio gli agitatori SM120x570 e SM121x570.

Manutenzione



AVVERTENZA: Spegnere sempre l'apparecchio e staccare la spina dalla presa prima di effettuare qualsiasi verifica o manutenzione.

SOSTITUZIONE DELLE SPAZZOLE

L'elettrotensile è munito di spazzole a disinserimento automatico. Quando si logorano, le due spazzole vanno sostituite simultaneamente con spazzole originali in un centro assistenza SPARKY per manutenzione in e fuori garanzia.

ISPEZIONE GENERALE

Controllare regolarmente tutti gli elementi di sfregio e accertarsi che sono serrati saldamente. Se qualche vite è allentata, stringerla subito, per evitare situazioni di rischio.

Se il cordone d'alimentazione è danneggiato, la sostituzione va effettuata dal fabbricante o da un suo specialista di centro assistenza, per evitare i pericoli che risulterebbero in seguito alla sostituzione.

PULIZIA

Per un lavoro sicuro mantenere sempre puliti l'apparecchio e i fori di ventilazione.

Verificare regolarmente se nella griglia di ventilazione vicino al motore elettrico o vicino ai commutatori siano penetrati polvere o corpi estranei. Usare una spazzola soffice per spolverarlo. Per proteggere gli occhi durante la pulizia indossare occhiali appositi.

Se il corpo dell'apparecchio necessita un trattamento di pulizia, pulirlo con un panno soffice umido. Si può usare un detergente debole.



AVVERTENZA: Non è permesso l'uso di alcool, benzina o altri solventi. Non usare mai preparati corrosivi per pulire le parti di plastica.



AVVERTENZA: Non permettere il contatto di acqua con l'apparecchio.

IMPORTANTE! Per provvedere a un lavoro sicuro con l'elettrotensile e alla sua attendibilità, tutti i lavori di manutenzione, riparazione e regolazione (ivi incluse la verifica e la sostituzione delle spazzole) vanno effettuati nei centri assistenza autorizzati SPARKY, con l'impiego soltanto di pezzi di ricambio originali.

Garanzia

Il periodo di garanzia per gli utensili SPARKY ha validità a partire dalla data di acquisto ed è conforme alle normative europee.

Non sono coperti da garanzia danni derivanti da usura, sovraccarico o uso improprio.

L'azienda produttrice assicura la sostituzione di tutte le parti non funzionanti in cui si riconoscano difetti di materiale e/o di lavorazione.

Le prestazioni di garanzia saranno erogate solo se la macchina richiesta sarà inviata in condizioni integre al rivenditore o ad un centro di assistenza, accompagnata dallo scontrino fiscale.

Ulteriori informazioni

Leggere attentamente tutte le istruzioni prima di iniziare a lavorare con l'utensile.

L'azienda produttrice si riserva il diritto di apportare modifiche tecniche senza preavviso.

Le specifiche tecniche possono variare da paese a paese.

Contenido

| | |
|--|------|
| Introducción | 35 |
| Datos técnicos | 37 |
| Instrucciones generales de seguridad al operar con herramientas eléctricas | 38 |
| Instrucciones adicionales de seguridad al operar con mezcladoras..... | 40 |
| Componentes principales de la herramienta eléctrica | A/41 |
| Instrucciones para la operación | 41 |
| Mantenimiento | 42 |
| Garantía | 43 |

DESENVASE

En conformidad con las tecnologías de grandes series generalmente aceptadas, es poco probable que su herramienta eléctrica sea defectuosa o que le falte alguna pieza. Si observa que algo no está en orden, no opere con la herramienta eléctrica hasta que su pieza dañada no haya sido sustituida o su defectuosidad no haya sido eliminada. El incumplimiento de esta recomendación puede conducir a un accidente de trabajo grave.

ENSAMBLAJE

La mezcladora se suministra empaquetada y ensamblada.

Introducción

La herramienta eléctrica SPARKY que acaba de adquirir superará sus expectativas. Ha sido fabricada conforme a las altas normas de calidad de SPARKY que responden a las exigencias más rigurosas del usuario. Su mantenimiento es fácil y es segura a la hora de explotarse. Si se usa correctamente, esta herramienta eléctrica le servirá con fiabilidad durante largos años.

¡ADVERTENCIA!



Lea con atención e íntegramente estas instrucciones de explotación antes de usar la herramienta eléctrica SPARKY que acaba de adquirir. Preste una atención especial a los textos encabezados por la palabra "Advertencia". Su herramienta eléctrica SPARKY posee muchas cualidades que facilitarán su trabajo. Al diseñarse esta herramienta eléctrica, se ha prestado una mayor atención a la seguridad, a las cualidades de explotación y a la fiabilidad que facilitan su mantenimiento y explotación.



¡No tire la herramienta eléctrica junto con los residuos domésticos!

Los residuos de productos eléctricos no deben recogerse junto con los residuos domésticos. Por favor, recíclelos en los lugares destinados a ello. Póngase en contacto con las autoridades locales o con un representante suyo para informarse respecto al reciclaje.

PROTECCIÓN DEL MEDIO AMBIENTE



Con miras a la protección del medio ambiente, esta herramienta eléctrica, sus accesorios y su envase deben someterse a un tratamiento adecuado para reutilizar las materias primas que contienen.

Para facilitar el reciclaje de las piezas fabricadas de materiales artificiales, éstas han sido marcadas de la forma correspondiente.

DESCRIPCIÓN DE LOS SÍMBOLOS

Sobre la placa de características técnicas de la herramienta eléctrica se han marcado símbolos especiales. Éstos facilitan información importante sobre el producto o instrucciones para su manejo.



Doble aislamiento de protección adicional.



En conformidad con las Directivas europeas de aplicación.



Cumple con las regulaciones de la Unión Aduanera.



En conformidad con los requisitos de los documentos normativos ucranianos.




Familiarícese con el manual de usuario.

YYYY-Www Período de fabricación, donde los símbolos variables son:
YYYY: año de fabricación,
ww: semana civil consecutiva.

BM Mezcladora.

Datos técnicos

| Modelo | BM 1380CEplus | BM2 1380CEplus |
|---|---------------------------|--|
| Potencia consumida | 1260 W | 1260 W |
| Frecuencia de rotación en marcha en vacío | 150-300 min ⁻¹ | 150-300min ⁻¹ /200-520min ⁻¹ |
| Transmisión sincronizada de dos velocidades | no | si |
| Regulación electrónica de las revoluciones | si | si |
| Electrónica constante | si | si |
| Acoplador de corriente eléctrica, mecanismo de seguridad térmica | si | si |
| Protección contra re arranque | si | si |
| Rosca de unión del husillo | M14 | M14 |
| Peso (EPTA Procedimiento 01/2014) | 5,0 kg | 5,1 kg |
| Clase de protección según la norma EN 60745-1  | II | II |

INFORMACIÓN SOBRE EL RUIDO Y LAS VIBRACIONES

Los valores se han medido según la norma EN 60745.

Emisión de ruido

| | | |
|---|-------------|-------------|
| A-nivel medido de presión sonora L _{pA} | 84,0 dB (A) | 84,0 dB (A) |
| Indeterminación K _{pA} | 3,0 dB (A) | 3,0 dB (A) |
| A-nivel medido de potencia sonora L _{WA} | 95,0 dB (A) | 95,0 dB (A) |
| Indeterminación K _{WA} | 3,0 dB (A) | 3,0 dB (A) |

¡Utilice medios de protección contra el ruido!

Emisión de vibraciones *

Valor total de las vibraciones (suma vectorial de tres direcciones) determinado según la norma EN 60745:

| | | |
|--|-----------------------|-----------------------|
| Mezcla de solución de densidad media | | |
| Valor de las vibraciones emitidas a _h | <1,5 m/s ² | <1,5 m/s ² |
| Indeterminación K | 2,0 m/s ² | 2,0 m/s ² |

* Las vibraciones se han determinado según el apartado 6.2.7 de la norma EN 60745.

El nivel de las vibraciones determinado en esta instrucción ha sido medido en conformidad con la metodología de ensayo indicada en EN 60745 y podrá utilizarse para comparar instrumentos eléctricos. El nivel de las vibraciones podrá utilizarse para una evaluación previa del grado de influencia.

El nivel declarado de las vibraciones se refiere a la destinación principal del instrumento eléctrico. En los casos cuando el instrumento eléctrico se utilice con otra destinación, con otros accesorios o cuando el instrumento eléctrico no haya sido mantenido debidamente, el nivel de las vibraciones podrá ser diferente al indicado. En estos casos, el nivel de influencia podrá aumentar considerablemente dentro de los límites del período total de funcionamiento.

En la evaluación del nivel de influencia de las vibraciones se deberá tener en consideración el tiempo durante el cual el instrumento eléctrico queda desconectado o conectado, pero no se utiliza. Esto podrá reducir notablemente el nivel de influencia dentro de los límites del período total de funcionamiento.

¡Manténganse el instrumento eléctrico y los accesorios en buen estado! Procure tener las manos calientes durante el trabajo. Esto disminuirá la influencia nociva durante un trabajo con vibraciones elevadas.

El polvo desprendido en el procesamiento de los materiales, como pinturas que contienen plomo, algunos tipos de madera, minerales y metales, podrá ser peligroso para la salud. El contacto o la aspiración del polvo podrá provocar reacciones alérgicas y/o enfermedades de las vías respiratorias del operario o de las personas a su alrededor.

Algunos tipos de polvo, por ejemplo, de roble o de haya, se consideran cancerígenos, ante todo si se combinan con adiciones para procesar la madera (cromato, conservantes). El material que contenga asbesto se ha de procesar únicamente por especialistas.

- Asegure una buena ventilación del lugar de trabajo.
 - Se recomienda usar una mascarilla antipolvo de protección con filtro clase P2.
- Respétense las disposiciones vigentes en su país acerca del procesamiento de los respectivos materiales.

Instrucciones generales de seguridad al operar con herramientas eléctricas



ADVERTENCIA! Lea íntegramente estas advertencias e instrucciones de seguridad. Si no se respetan las advertencias e instrucciones de seguridad, podrá llegar a causarse una avería por la corriente eléctrica, un incendio y/o una lesión grave.

Guárdense todas las advertencias e instrucciones de seguridad para su uso futuro.

El término "herramienta eléctrica" empleado en todas las advertencias descritas a continuación se refiere a su instrumento eléctrico alimentado de la red (con un cordón eléctrico) y/o de una máquina eléctrica alimentada por una batería de acumuladores (sin cordón eléctrico).

1) Seguridad del puesto de trabajo

- Mantenga limpio y bien iluminado su puesto de trabajo.** El desorden y la insuficiente iluminación son premisas para un accidente de trabajo.
- No trabaje con la herramienta eléctrica en un entorno de aire explosivo donde hay líquidos inflamables, gases o polvo.** Las herramientas eléctricas producen chispas que pueden incendiar el polvo o el vapor.
- Mantenga a los niños y a las personas extrañas a una distancia cuando esté trabajando con una herramienta eléctrica.** Una distracción suya le puede hacer perder el control sobre el instrumento eléctrico.

2) Seguridad eléctrica

- Los enchufes de las herramientas eléctricas deben corresponder a la toma de corriente. No cambie el enchufe bajo ningún concepto. No emplee ningún enchufe adaptador en las herramientas eléctricas de puesta a tierra.** El uso de

enchufes no modificados y su correspondiente toma de corriente reduce el riesgo de una avería causada por la corriente eléctrica.

- Evite el contacto de su cuerpo con la tierra o con superficies con puesta a tierra, como tubos, radiadores, cocinas y refrigeradores.** Si su cuerpo está con puesta a tierra, existe un mayor riesgo de producirse una avería por la corriente eléctrica.
 - No exponga la herramienta eléctrica a la lluvia o en un ambiente húmedo.** La penetración del agua en el interior del instrumento eléctrico aumenta el riesgo de producirse una avería por la corriente eléctrica.
 - Utilice el cordón eléctrico conforme a su destino. Jamás utilice el cordón eléctrico para trasladar el instrumento eléctrico, tirar o sacar el enchufe de la toma de corriente. Mantenga el cordón eléctrico alejado del calor, de lubricantes, aristas vivas o piezas móviles.** Los cordones eléctricos deteriorados o enredados aumentan el riesgo de producirse una avería por la corriente eléctrica.
 - Al trabajar con la herramienta eléctrica a la intemperie, utilice un alargador apropiado para trabajar al aire libre.** La utilización de un alargador adecuado para trabajar a la intemperie reduce el riesgo de producirse una avería por la corriente eléctrica.
 - Para interrumpir la alimentación, utilice un dispositivo de seguridad que se pone en funcionamiento por la corriente eléctrica restante de ser imprescindible el empleo de la herramienta eléctrica en un ambiente húmedo.** La aplicación de un dispositivo de seguridad reduce el riesgo de producirse una avería por la corriente eléctrica.
- ### 3) Seguridad personal
- Manténgase en alerta, trabaje con mayor atención y sea prudente mientras esté trabajando con la herramienta eléctrica.** No utilice la herramienta eléctrica si estuviese cansado bajo el efecto de drogas, alcohol o medicamentos. Un

instante de falta de atención al trabajar con un instrumento eléctrico puede provocar un grave accidente de trabajo.

- b) **Utilice medios de protección personal. Lleve siempre medios para la protección de los ojos.** *Los medios de protección personal como carreta antipolvo, zapatos seguros con suela antideslizante, casco o protectores auditivos utilizados en condiciones concretas reducen el riesgo de accidentes de trabajo.*
 - c) **Evite una puesta en marcha involuntaria. Antes de asir o trasladar el instrumento eléctrico, asegúrese de que el interruptor esté desconectado previa su conexión a la fuente de alimentación y/o a la batería de acumuladores.** *Puede dar lugar a un accidente de trabajo que la herramienta eléctrica sea trasladada con el dedo sobre el interruptor, o bien la conexión de dicha herramienta a una fuente de alimentación con el interruptor en posición conectada.*
 - d) **Retire toda llave de ajuste o llaves de tuercas antes de conectar la herramienta eléctrica.** *Una llave de ajuste o llave de tuercas fijada a una pieza rotatoria puede producir un accidente de trabajo.*
 - e) **¡No alargue la mano! Mantenga en todo momento la postura correcta y el equilibrio.** *Ello permitirá un mejor manejo de la herramienta eléctrica en caso de que se presente una situación inesperada.*
 - f) **Lleve una ropa de trabajo adecuada. No lleve prendas anchas o joyas. Mantenga su cabello, vestimenta y guantes alejados de las piezas móviles.** *La ropa ancha, las joyas o el pelo largo se podrán enganchar a las piezas en movimiento.*
 - g) **Siempre que sea posible, utilice equipos de aspiración o recogepolvos y asegúrese que estén conectados y que se utilicen correctamente.** *El uso de estos dispositivos puede reducir los riesgos que son producto del polvo.*
- 4) Uso y cuidado de las herramientas eléctricas**
- a) **No sobrecargue la herramienta eléctrica. Según el uso, hágase una correcta selección de la herramienta eléctrica.** *La herramienta correctamente seleccionada funciona mejor y con mayor seguridad en el régimen de trabajo para el que ha sido diseñada.*
 - b) **No utilice la herramienta eléctrica si el interruptor no conmuta en posición de “conectado” y “desconectado”.** *Toda herramienta eléctrica que no pueda ser manejada con el interruptor es peligrosa y ha de ser reparada.*
 - c) **Antes de efectuar cualquier ajuste, saque el enchufe de la red de alimentación, previo cambio de cualquier accesorio o antes de guardar la herramienta.** *Estas medidas de seguridad preventivas reducen el riesgo de poner en funcionamiento la herramienta eléctrica accidentalmente.*
 - d) **Guarde las herramientas eléctricas que no hayan sido utilizadas en lugares que estén fuera del alcance de los niños, y no permita que trabajen con ella las personas que prestan servicios y desconozcan la herramienta eléctrica y estas instrucciones.** *Las herramientas eléctricas son peligrosas en manos de usuarios inexpertos.*
 - e) **Mantenga la herramienta eléctrica. Averigüe si sus piezas móviles funcionan correctamente y se mueven con libertad, así como la integridad y el buen estado de las piezas, como también cualquier otra circunstancia que pudiera afectar de forma desfavorable el funcionamiento de la herramienta eléctrica.** *En caso de que esté deteriorada, la herramienta habrá de repararse antes de que se continúe usando. Muchos accidentes se deben al mal mantenimiento de las herramientas eléctricas.*
 - f) **Mantenga las herramientas cortantes limpias y afiladas.** *Las herramientas cortantes con bordes afilados y cortantes que tengan un mantenimiento correcto es menos probable que bloqueen y son más fáciles de manejar.*
 - g) **Utilice la herramienta eléctrica, los accesorios, las piezas, etc., de acuerdo con estas instrucciones y de la forma prevista para el tipo de herramienta eléctrica concreta, tomando en consideración las condiciones laborales y el trabajo a realizar.** *El uso de la herramienta eléctrica con fines diferentes a aquellos para los que ha sido diseñada puede causar una situación de peligro.*
- 5) Servicio**
- a) **Repare su herramienta eléctrica con un técnico cualificado en reparaciones, utilizando sólo piezas de recambio originales.** *Ello garantizará el mantenimiento y la seguridad de la herramienta eléctrica.*

Instrucciones adicionales de seguridad al operar con mezcladoras



Durante la operación, utilice medios de protección de la vista para cuidarse de las partículas volantes. Lleve gafas de protección.



Adopte medidas preventivas contra la aspiración de polvo. Algunos materiales pueden contener componentes tóxicos. Lleve una careta de protección antipolvo.

- Es recomendable usar guantes de protección.



ADVERTENCIA: Antes de conectar la herramienta eléctrica a la red de alimentación, cerciórese de que el voltaje de alimentación corresponde al indicado sobre la placa de datos técnicos de la herramienta eléctrica.

- Una fuente de alimentación, con voltaje superior al indicado para la herramienta eléctrica, puede ocasionar tanto un daño grave de corriente eléctrica al operador como una avería a la herramienta eléctrica.
- Si tiene algunas vacilaciones, no conecte el enchufe de la herramienta eléctrica a la caja de contacto.
- El uso de una fuente de alimentación, con voltaje inferior al indicado sobre la placa de la herramienta eléctrica, dañará el motor eléctrico.
- Para evitar un sobrecalentamiento posible, desenrosque siempre hasta el tope el cable del prolongador con un tambor de cable.
- Cuando sea imprescindible usar un prolongador, cerciórese de que su sección corresponde a la corriente nominal de la herramienta eléctrica utilizada, así como del buen estado del prolongador.



ADVERTENCIA: Desconecte siempre la herramienta eléctrica y saque el enchufe de la toma de corriente antes de efectuar cualquier ajuste, servicio o mantenimiento, o bien al producirse una caída en el voltaje de alimentación.

- No conecte la máquina bajo carga y guárdela solamente después de haber dejado de girar completamente.
- Cuando esté operando con la máquina, sujétela siempre fuertemente con ambas manos y ocupe una posición estable. Esta herramienta eléctrica se maneja con mayor seguridad con ambas manos.
- La herramienta eléctrica debe mantenerse alejada del cuerpo, y las manos deben estar lejos de las piezas rotatorias de la máquina.
- En caso de que la herramienta eléctrica haya caído en la mezcla que se está batiendo, tire inmediatamente del enchufe y lleve la máquina para ser revisada en un centro de servicio autorizado. El material que se ha infiltrado en la herramienta eléctrica puede provocar una avería y causar cortocircuito.
- Al operar en un entorno polvoriento, los orificios de ventilación de la máquina deben mantenerse limpios. Si es necesario limpiarlos del polvo, desconecte primero la alimentación y utilice objetos no metálicos para quitar el polvo, procurando no averiar las piezas internas de la máquina.
- Mantenga el cable de alimentación fuera del alcance de funcionamiento de la máquina.
- No utilice la herramienta eléctrica cuando el cable esté dañado. No toque el cable dañado y saque el enchufe de la toma de corriente, si el cable se ha dañado durante la operación. Los cables dañados elevan el riesgo de electrocución.
- La herramienta eléctrica debe usarse solamente según el fin con el que ha sido concebida. Cualquier otro uso que difiera del que se describe en este manual, se considerará uso incorrecto. La responsabilidad por cualquier avería o lesión, que se derivan del uso incorrecto, será asumida por el usuario, y no por el fabricante.
- Para explotar correctamente esta herramienta eléctrica, deben cumplirse las normas de seguridad, las indicaciones e instrucciones generales de trabajo que se indican aquí. Todos los usuarios deben conocer este manual de explotación y estar informados acerca de los riesgos potenciales al operar con esta herramienta eléctrica. Los niños y las personas físicamente débiles no deben usar esta herramienta eléctrica. Los niños deben estar bajo vigilancia constante si se encuentran cerca del lugar donde se está operando con la herramienta eléctrica. Es obligatorio adoptar también medidas de seguridad preventivas. Ello se refiere asimismo al cumplimiento de

las normas básicas de salud profesional y seguridad.

- El fabricante no asume responsabilidad por las modificaciones en la herramienta eléctrica, que hayan sido efectuadas por el usuario, o por las averías provocadas a raíz de estas modificaciones.
- La herramienta eléctrica no debe usarse al aire libre cuando esté lloviendo, en un entorno húmedo (después de llover) o cerca de líquidos y gases fácilmente inflamables. El puesto de trabajo debe estar bien iluminado.

Componentes principales de la herramienta eléctrica

Antes de empezar a operar con la herramienta eléctrica, infórmese acerca de todas sus peculiaridades operativas y de las condiciones de seguridad.

Utilice la herramienta eléctrica y sus accesorios solamente según el fin con el que han sido concebidos. Queda terminantemente prohibida cualquier otra aplicación.

1. Tampones de caucho
2. Interruptor
3. Regulador electrónico de las revoluciones
4. Botón de fijación del interruptor
5. Cable con enchufe
6. Mezclador
7. Husillo
8. Gollete de unión de la máquina
9. Conmutador de la gama de velocidades (BM2 1380CEplus)
10. Asideros
11. Orificios de ventilación
12. Llave de tuercas abierta SW 22
13. Biedro 19mm

Instrucciones para la operación

Esta herramienta eléctrica se alimenta solamente mediante voltaje monofásico alterno. Puede conectarse a tomas de corriente sin bornes de protección, ya que posee doble aislamiento, según las normas EN 60745-1 e IEC 60745. Las radiointerferencias corresponden a la Directiva de Compatibilidad Electromagnética.

La herramienta eléctrica puede aplicarse:

- para usos industriales y domésticos;
- para mezclar materiales líquidos y semilíquidos de viscosidad baja, por ejemplo: pinturas, barnices, adhesivos, revoques ligeros, etc.;
- para usarse con los mezcladores y los accesorios indicados en el manual de explotación o recomendados por el fabricante.

ANTES DE EMPEZAR LA OPERACIÓN

- Revise si el voltaje de la red eléctrica corresponde al indicado sobre la placa de datos técnicos de la herramienta eléctrica.
- Revise la posición en la que se encuentra el interruptor. La herramienta eléctrica debe conectarse y desconectarse de la red de alimentación solamente cuando el interruptor esté desconectado. Si el enchufe se introduce en la toma de corriente mientras que el interruptor esté conectado, la herramienta eléctrica se accionará inmediatamente, lo cual es una premisa de accidente.
- Cerciórese del buen estado del cable de alimentación y del enchufe. Si el cable de alimentación está dañado, su sustitución debe efectuarse por el fabricante o por un técnico de servicio suyo para evitar los peligros de la sustitución.
- Antes de empezar la operación, la herramienta eléctrica y el mezclador deben ser revisados por averías, desequilibrio y vibraciones. Se ha de efectuar un arranque de prueba.



ADVERTENCIA: Desconecte siempre la herramienta eléctrica y saque el enchufe de la toma de corriente antes de efectuar cualquier ajuste, servicio o mantenimiento, o bien al producirse una caída del voltaje de alimentación.

CONEXIÓN - DESCONEXIÓN

Accionamiento breve

Conexión: el interruptor 2 se aprieta.
Desconexión: el interruptor 2 se afloja.

Operación continua

Conexión: el interruptor 2 se aprieta, y, estando apretado, se inmoviliza con el botón 4.
Desconexión: el interruptor 2 se aprieta una sola vez y se afloja inmediatamente.

REGULACIÓN ELECTRÓNICA PROGRESIVA DE LAS REVOLUCIONES

Al apretar suavemente el interruptor 2, se provoca el accionamiento de la mezcladora a revoluciones bajas, que aumentan paulatinamente hasta las máximas, elevando la presión sobre el interruptor, hasta llegar a la posición extrema.

SELECCIÓN DE LAS REVOLUCIONES

La frecuencia de rotación necesaria se programa previamente al girar el disco del regulador 3 en el sentido de la aguja o hacia el símbolo "+" para aumentar las revoluciones, y en el sentido inverso al de la aguja del reloj o hacia el símbolo "-" para reducirlas. De este modo se garantiza un régimen de operación óptimo.

La mezcladora BM2 1380CE Plus está provista de un reductor de dos velocidades. La conmutación de las velocidades se realiza al girar el conmutador 9 a 180° en el sentido de la flecha indicada que viene marcada en el conmutador (el sentido inverso al de la aguja del reloj cuando está detenida la máquina).

COLOCAR O CAMBIAR LA HERRAMIENTA DE TRABAJO

El enchufe se saca de la toma de corriente, si está conectado.

El mezclador 6 se enrosca manualmente en el sentido de la aguja del reloj.

El mezclador 6 se desenrosca con una llave de tuercas SW22 en el sentido inverso al de la aguja del reloj. Si el mezclador ha sido apretado demasiado, utilice una llave de tuercas adicional con dimensiones de 19mm para fijar el husillo 7 en el área del bieldo 13.

RECOMENDACIONES

El mezclador sigue girando durante cierto tiempo después de desconectarse.

Si el mezclador rotatorio entra en contacto con una superficie, puede provocar un impulso contrario.

La herramienta eléctrica debe conectarse al apretar cadenciosamente el gatillo del interruptor 2, hasta llegar a las revoluciones máximas, apenas después de que el mezclador haya sido sumergido en la mezcla removida.

MECANISMO DE SEGURIDAD CONTRA SOBRECARGAS

- En caso de sobrecargas pequeñas continuas, se accionará el mecanismo de seguridad térmica que desconecta el motor. Para poner en régimen de funcionamiento, el interruptor debe desconectarse y volver a conectarse después de que la máquina se haya enfriado al cabo de 3-5 minutos.

- En caso de sobrecargas grandes de corta duración, se accionará una protección de corriente eléctrica que interrumpirá la alimentación de la máquina y ésta no será apta para trabajar. Para recuperar el funcionamiento normal de la herramienta eléctrica, en este caso es necesario que el interruptor de arranque se desconecte, y, posteriormente, volver a conectarse.

- En caso de interrumpirse el voltaje de la red de alimentación (o si decae momentáneamente por un tiempo $t > 0,5s.$), cuando el interruptor de arranque de la herramienta está fijado en posición conectada, al restablecerse la alimentación de la red, la herramienta eléctrica no debe estar en funcionamiento (no debe arrancar). Para recuperar el funcionamiento normal de la herramienta eléctrica, en este caso es necesario que el interruptor de arranque se desconecte, y, posteriormente, volver a conectarse.

ACCESORIOS QUE PUEDEN UTILIZARSE CON ESTA HERRAMIENTA ELÉCTRICA

Se pueden utilizar mezcladores de rotación derecha, rosca de unión M14 externa y diámetro máximo del cuerpo de trabajo Ø140mm.

- Mezclador SM120x570

- Mezclador SM121x570

No es obligatorio que en el kit de la máquina se incluyan los mezcladores SM120x570 y SM121x570.

Mantenimiento



ADVERTENCIA: Desconecte siempre la herramienta eléctrica y saque el enchufe de la toma de corriente antes de realizar cualquier revisión o mantenimiento.

CAMBIO DE LOS CEPILLOS

La herramienta eléctrica está provista de cepillos que se desconectan automáticamente. Cuando los cepillos se desgasten, ambos cepillos deben sustituirse simultáneamente por cepillos originales en un centro de servicio de SPARKY de mantenimiento de garantía y fuera de garantía.

REVISIÓN GENERAL

Revise regularmente todos los elementos de entibación y cerciérse de que hayan sido bien atiesados. En caso de que alguno de los tornillos se haya aflojado, apriételo inmediatamente para evitar situaciones de riesgo.

Si el cable de alimentación está dañado, su sustitución debe efectuarse por el fabricante o por un técnico de servicio suyo para evitar los peligros de la sustitución.

LIMPIEZA

Para una operación segura, mantenga siempre limpios la máquina y los orificios de ventilación. Revise regularmente si en la rejilla de ventilación, cerca del motor eléctrico o en torno a los conmutadores no han entrado polvo o cuerpos ajenos. Utilice un cepillo suave para quitar el polvo acumulado. Para proteger sus ojos, lleve gafas de protección durante la limpieza.

Si el cuerpo de la máquina necesita limpieza, límpielo con un paño suave y húmedo. Puede emplearse un detergente de limpieza suave.



ADVERTENCIA: No se deben usar alcohol, gasolina ni otros disolventes. No utilice nunca detergentes de limpieza corrosivos para limpiar las piezas de plástico.



ADVERTENCIA: El agua no debe entrar en contacto con la máquina.

¡IMPORTANTE! Para garantizar una operación segura con la herramienta eléctrica y su fiabilidad, todas las actividades de reparación, mantenimiento y regulación (incluidas la revisión y la sustitución de los cepillos) deben efectuarse en los centros de servicio autorizados de SPARKY, utilizando solamente piezas de recambio originales.

Garantía

El plazo de garantía de las herramientas eléctricas SPARKY se determina en la tarjeta de garantía.

Los defectos que hayan surgido como consecuencia del desgaste natural, de la sobrecarga o de la explotación incorrecta se excluyen de las obligaciones de la garantía.

Los defectos que hayan surgido como consecuencia de que se hayan invertido materiales de baja calidad y/o de errores de fabricación, serán subsanados sin pago adicional, mediante sustitución o reparación.

La reclamación por una herramienta eléctrica SPARKY defectuosa será reconocida cuando la máquina haya sido devuelta al proveedor o cuando haya sido presentada en un centro de servicio de garantía autorizado en su estado sin desmontar (inicial).

Observaciones

Lea atentamente todo el manual de usuario antes de usar este producto.

El fabricante se reserva el derecho de introducir mejoras y modificaciones en sus productos, así como modificar las especificaciones, sin notificarlo.

Las especificaciones pueden variar para cada país.

Conteúdo

| | |
|--|------|
| Introdução | 44 |
| Dados técnicos | 46 |
| Instruções gerais para a segurança de trabalho com instrumentos eléctricos | 47 |
| Regras adicionais de segurança de trabalho com misturadoras | 48 |
| Conhecimento sobre o instrumento eléctrico | A/49 |
| Instruções para o trabalho | 49 |
| Manutenção | 51 |
| Garantia | 52 |

DESEMBALAGEM

De acordo com as tecnologias de produção geralmente utilizadas, é pouco provável o novo instrumento eléctrico que você adquiriu ser ineficiente ou lhe faltar alguma peça. Mesmo assim, se você verificar que qualquer coisa não está bem, não trabalhe com o instrumento, enquanto a peça ineficiente não for substituída, ou a imperfeição não ficar eliminada. O não seguimento desta recomendação é capaz de provocar um acidente de trabalho grave.

MONTAGEM

A misturadora fornece-se empacotada e completamente montada.

I - Introdução

O novo instrumento eléctrico SPARKY que adquiriu vai ultrapassar as suas expectativas. Ele foi fabricado de acordo com os mais elevados padrões de qualidade da SPARKY, os quais vão de encontro com as exigências mais rigorosas do consumidor. Fácil de manutenção e seguro durante a utilização, sendo correctamente manipulado, este instrumento eléctrico servir-lhe-á fielmente durante muitos anos.

ATENÇÃO!



Leia atentamente toda a instrução para o uso, antes de começar a trabalhar com o seu novo instrumento eléctrico SPARKY. Preste especial atenção aos textos que começam com a palavra "Atenção". O seu instrumento eléctrico SPARKY possui qualidades que hão de facilitar o seu trabalho. Ao ser fabricado este instrumento eléctrico, maior atenção foi prestada à segurança, às qualidades de exploração e à fiabilidade, as quais fazem dele um instrumento fácil de manutenção e de exploração.



Não deitar o instrumento eléctrico para o lixo comum!

Os resíduos de aparelhos eléctricos não se devem misturar com o lixo comum. Mande-os para reciclagem nos lugares destinados a isso. Ponha-se em contacto com as autoridades locais ou com um representante para consultar a forma de reciclagem.

PROTECÇÃO DO MEIO AMBIENTE



Visando a protecção do meio ambiente, o instrumento eléctrico, os seus acessórios e embalagem têm de ser submetidos a uma adequada reelaboração para serem novamente utilizadas as matérias primas contidas neles.

Para facilitar a reciclagem, as peças feitas de materiais sintéticos levam a respectiva denotação.

DESCRIÇÃO DOS SÍMBOLOS

Sobre a chapa com os dados do instrumento eléctrico estão denotados os símbolos especiais que fornecem importante informação sobre o artefacto ou recomendações para o seu uso.



Duplo isolamento para protecção.



Conformidade com as directrizes europeias aplicáveis.



Está conforme com as exigências dos regulamentos da União Alfandegária.



Conformidade com as exigências dos documentos normativos ucranianos.



Leia a instrução para o uso.

YYYY-Www

Período de fabrico, onde os símbolos variáveis são:


YYYY – ano de fabrico,

ww – a respectiva semana corrente do calendário

BM

Misturadora.

Dados técnicos

| Modelo | BM 1380CEplus | BM2 1380CEplus |
|--|---------------------------|--|
| Potencia de consumo | 1260 W | 1260 W |
| rotações a marcha ao ralenti | 150-300 min ⁻¹ | 150-300min ⁻¹ /200-520min ⁻¹ |
| Transmissão sincronizada a duas velocidades | não | sim |
| Regulação electrónica das rotações | sim | sim |
| Electrónica constante | sim | sim |
| Embraiagem eléctrica, protecção térmica | sim | sim |
| Protecção contra arranque espontâneo | sim | sim |
| Rosca do veio | M14 | M14 |
| Peso (EPTA procedimento 01/2014) | 5,0 kg | 5,1 kg |
| Classe de protecção (EN 60745-1)  | II | II |

INFORMAÇÃO SOBRE RUÍDO E VIBRAÇÕES

Os valores foram determinados de acordo com EN 60745.

Libertação de ruído

| | | |
|---|-------------|-------------|
| A- nível calculado de pressão sonora L _{pA} | 84,0 dB (A) | 84,0 dB (A) |
| Indefinição K _{pA} | 3,0 dB (A) | 3,0 dB (A) |
| A- nível calculado de potência sonora L _{WA} | 95,0 dB (A) | 95,0 dB (A) |
| Indefinição K _{WA} | 3,0 dB (A) | 3,0 dB (A) |

Utilize meios de protecção contra o ruído!

Libertação de vibrações *

Valor global das vibrações (soma vectorial pelos três eixos), determinado de acordo com EN 60745:

Agitação duma solução de densidade média

| | | |
|---|-----------------------|-----------------------|
| Valor das vibrações emanadas a _v | <1,5 m/s ² | <1,5 m/s ² |
| Indefinição K | 2,0 m/s ² | 2,0 m/s ² |

* As vibrações foram determinadas de acordo com p. 6.2.7 de EN 60745.

O nível das vibrações, indicado neste manual, foi determinado com base no teste indicado por EN 60745 e pode ser utilizado para a comparação de instrumentos eléctricos. O nível das vibrações pode ser utilizado para a avaliação prévia do grau de impacto.

O nível das vibrações declarado refere-se à utilização/função principal do instrumento. Caso o instrumento eléctrico seja utilizado para outros fins, ou forem utilizados outros acessórios, ou o instrumento não for bem tratado, o nível das vibrações diferenciar-se-á do declarado. Em tais casos o nível do impacto pode crescer consideravelmente dentro do período laboral total.

Ao avaliar o nível de impacto das vibrações, é preciso considerar também o tempo em que o instrumento está desligado, ou está ligado, mas sem funcionar. Tal pode diminuir consideravelmente o nível do impacto dentro do período laboral total.

Mantenha o instrumento eléctrico e os acessórios em bom estado. Cuide as mãos quentes durante o trabalho – isto vai diminuir o efeito nocivo do trabalho com instrumentos de vibração elevada.

O pó resultante do processamento dos materiais tais como pinturas com conteúdo de chumbo, certos tipos de madeiras, minerais e metais, pode ser nocivo para a saúde. O contacto directo ou a aspiração do pó pode causar reacções alérgicas e/ou doenças das vias respiratórias do trabalhador ou das pessoas que se encontram perto dele.

Alguns tipos de pó, por exemplo o de carvalho ou de faia consideram-se carcinogénicos, sobretudo em combinação com ingredientes utilizados no processamento da madeira, tais como cromado ou conservantes. O material que contém amianto tem de ser processado só por especialistas.

• Para conseguir um alto grau de despoejamento ao trabalhar com este instrumento eléctrico, utilize aspirador de pó destinada a captar pó de madeira ou pó de partículas minerais.

• Garanta a boa ventilação do posto de trabalho.

• Recomenda-se o uso de máscara protectora contra o pó com filtro da classe P2.

Cumpra as regras vigentes no Seu país referentes ao processamento dos diferentes materiais.

Instruções gerais para a segurança de trabalho com Instrumentos eléctricos



ATENÇÃO! Devem ser lidas todas as indicações de advertência e todas as instruções. O desrespeito das advertências e instruções apresentadas abaixo pode causar choque eléctrico, incêndio e/ou graves lesões.

Guarde bem todas as advertências e instruções para futura referência.

O termo “Ferramenta eléctrica” utilizado a seguir nas indicações de advertência, refere-se a ferramentas eléctricas operadas com corrente de rede (com cabo de rede) e a ferramentas eléctricas operadas com bateria (sem cabo de rede).

1) Segurança da área de trabalho

- Mantenha a sua área de trabalho sempre limpa e bem iluminada. Desordem ou áreas de trabalho insuficientemente iluminadas podem levar a acidentes.
- Não trabalhar com a ferramenta eléctrica em áreas com risco de explosão, nas quais se encontrem líquidos, gases ou pós inflamáveis. Ferramentas eléctricas produzem faíscas, que podem inflamar pós ou vapores.
- Manter crianças e outras pessoas afastadas da ferramenta eléctrica durante a utilização. No caso de distração é possível que perca o controlo sobre o aparelho.

2) Segurança eléctrica

- A ficha de conexão da ferramenta eléctrica deve caber na tomada. A ficha não deve ser modificada de maneira alguma. Não utilizar uma ficha de adaptação junto com ferramentas eléctricas protegidas por ligação a terra. Fichas não modificadas e tomadas apropriadas reduzem o risco de um choque eléctrico.
- Evitar que o corpo possa entrar em contacto com superfícies ligadas a terra, como tubos, aquecimentos, fogões e frigoríficos. Há um risco elevado devido a choque eléctrico, se o corpo estiver ligado a terra.

- Manter o aparelho afastado de chuva ou humidade. A infiltração de água numa ferramenta eléctrica aumenta o risco de choque eléctrico.
- Não deverá utilizar o cabo para outras finalidades. Jamais utilizar o cabo para transportar a ferramenta eléctrica, para pendurá-la, nem para puxar a ficha da tomada. Manter o cabo afastado de calor, óleo, cantos afiados ou partes do aparelho em movimento. Cabos danificados ou emaranhados aumentam o risco de um choque eléctrico.
- Se trabalhar com uma ferramenta eléctrica ao ar livre, só deverá utilizar cabos de extensão apropriados para áreas exteriores. A utilização de um cabo de extensão apropriado para áreas exteriores reduz o risco de um choque eléctrico.
- Se não for possível evitar o funcionamento da ferramenta eléctrica em áreas húmidas, deverá ser utilizado uma disjuntor de corrente de avaria. A utilização de um disjuntor de corrente de avaria reduz o risco de um choque eléctrico.

3) Segurança de pessoas

- Esteja atento, observe o que está a fazer e tenha prudência ao trabalhar com a ferramenta eléctrica. Não utilizar uma ferramenta eléctrica quando estiver fatigado ou sob a influência de drogas, álcool ou medicamentos. Um momento de descuido ao utilizar a ferramenta eléctrica, pode levar a lesões graves.
- Utilizar equipamento de protecção pessoal e sempre óculos de protecção. A utilização de equipamento de protecção pessoal, como máscara de protecção contra pó, sapatos de segurança antiderrapantes, capacete de segurança ou protecção auricular, de acordo com o tipo e aplicação da ferramenta eléctrica, reduz o risco de lesões.
- Evitar uma colocação em funcionamento involuntária. Assegure-se de que a ferramenta eléctrica esteja desligada, antes de conectá-la a alimentação de rede e/ou ao acumulador, antes de levantá-la ou de transportá-la. Se tiver o dedo no interruptor ao transportar a ferramenta eléctrica ou se o aparelho for conectado a alimentação de rede enquanto estiver ligado, poderão ocorrer acidentes.
- Remover ferramentas de ajuste ou chaves de boca antes de ligar a ferramenta eléctrica. Uma ferramenta ou chave que

se encontre numa parte do aparelho em movimento pode levar a lesões.

- e) **Evite uma posição anormal. Mantenha uma posição firme e mantenha sempre o equilíbrio.** Desta forma é mais fácil controlar a ferramenta eléctrica em situações inesperadas.
- f) **Usar roupa apropriada. Não usar roupa larga nem jóias. Mantenha os cabelos, roupas e luvas afastadas de partes em movimento.** Roupas frouxas, cabelos longos ou jóias podem ser agarrados por peças em movimento.
- g) **Se for possível montar dispositivos de aspiração ou de recolha, assegure-se de que estejam conectados e utilizados correctamente.** A utilização de uma aspiração de pó pode reduzir o perigo devido ao pó.

4) Utilização e manuseio cuidadoso de ferramentas eléctricas

- a) **Não sobrecarregue o aparelho. Utilize a ferramenta eléctrica apropriada para o seu trabalho. É melhor e mais seguro trabalhar com a ferramenta eléctrica apropriada na área de potência indicada.**
- b) **Não utilizar uma ferramenta eléctrica com um interruptor defeituoso.** Uma ferramenta eléctrica que não pode mais ser ligada nem desligada, é perigosa e deve ser reparada.
- c) **Puxar a ficha da tomada e/ou remover o acumulador antes de executar ajustes no aparelho, de substituir acessórios ou de guardar o aparelho.** Esta medida de segurança evita o arranque involuntário da ferramenta eléctrica.
- d) **Guardar ferramentas eléctricas não utilizadas fora do alcance de crianças. Não permita que pessoas que não estejam familiarizadas com o aparelho ou que não tenham lido estas instruções, utilizem o aparelho.** Ferramentas eléctricas são perigosas se forem utilizadas por pessoas inexperientes.
- e) **Tratar a ferramenta eléctrica com cuidado. Controlar se as partes móveis do aparelho funcionam perfeitamente e não emperram, e se há peças partidas ou danificadas que possam prejudicar o funcionamento da ferramenta eléctrica. Permitir que peças danificadas sejam reparadas antes da utilização. Muitos acidentes têm como causa, a manutenção insuficiente de ferramentas eléctricas.**
- f) **Manter as ferramentas de corte afiadas e limpas.** Ferramentas de corte cuidado-

samente tratadas e com cantos de corte afiados emperram com menos frequência e podem ser conduzidas com maior facilidade.

- g) **Utilizar a ferramenta eléctrica, acessórios, ferramentas de aplicação, etc. conforme estas instruções. Considerar as condições de trabalho e a tarefa a ser executada.** A utilização de ferramentas eléctricas para outras tarefas a não ser as aplicações previstas, pode levar a situações perigosas.

5) Serviço

- a) **Só permita que o seu aparelho seja reparado por pessoal especializado e qualificado e só com peças de reposição originais.** Desta forma é assegurado o funcionamento seguro do aparelho.

Instruções adicionais de segurança de trabalho com misturadoras



Durante o trabalho utilize meios de protecção dos olhos para se proteger de partículas que voam. Use óculos protectores.



Tome medidas contra a poeira. Alguns materiais podem conter elementos tóxicos. Leve máscara anti pó. Utilize dispositivo para remoção da poeira, caso seja possível ligá-lo ao instrumento eléctrico.

- Recomenda-se utilizar luvas protectoras.



ATENÇÃO: Antes de ligar o instrumento à corrente eléctrica, verifique se a tensão alimentadora corresponde à assinalada sobre a chapa dos dados técnicos do instrumento.

- Uma fonte de alimentação de tensão superior à da assinalada para o instrumento eléctrico, pode provocar ao operador grave lesão da corrente eléctrica, como também pode causar dano ao instrumento.
- Caso tenha quaisquer dúvidas, não meta a ficha do instrumento eléctrico no contacto da rede.
- Uma fonte de alimentação de tensão inferior à da assinalada para o instrumento eléctrico, pode causar dano ao motor eléctrico do instrumento.

- Para evitar um eventual sobreaquecimento, desdobre sempre até ao fim o cabo de extensão com tambor de cabo.
- Quando for necessário usar extensão, verifique se a sua secção corresponde à corrente nominal do instrumento eléctrico e se a extensão se encontra em estado perfeito.



ATENÇÃO: Desligue sempre o instrumento e retire a ficha da rede, antes de efectuar qualquer conserto, assistência ou manutenção, ou bem no caso de corte da tensão alimentadora.

- Não ligue o instrumento sob carga e deixe-o só depois da paragem definitiva da rotação.
- Quando trabalha com o instrumento, pegue nele bem com as duas mãos e fique uma posição estável. Este instrumento movimentase melhor com as duas mãos.
- O instrumento tem de se manter longe do corpo e as mãos longe das partes rotativas.
- Em caso em que o instrumento caia na solução misturada, retire imediatamente a ficha da rede e leve o instrumento ao serviço para ser verificado. O material ao penetrar no instrumento pode causar avaria e curto-circuito.
- Ao trabalhar em local poeirento, as aberturas de ventilação do instrumento têm de se manter limpas. Caso seja necessário limpá-las do pó, primeiro desligue o instrumento da rede e utilize objectos não metálicos para a limpeza, tendo o cuidado de não danificar as partes internas do instrumento.
- Mantenha o cabo alimentador fora do alcance operacional do instrumento.
- Não trabalhe com instrumento cujo cabo tem defeito. Não toque o cabo defeituoso e retire a ficha da rede, caso o defeito surja durante o processo de trabalho. Os cabos defeituosos elevam o risco de choque eléctrico.
- O instrumento tem de se utilizar só para o que for destinado. Qualquer outro uso, diferente do que se descreve no presente manual considerar-se-á uso incorrecto. A responsabilidade de qualquer dano ou lesão em resultado do uso incorrecto, será assumida pelo consumidor e não pelo fabricante.
- Para trabalhar correctamente com este instrumento, é preciso ter em conta as regras de segurança, as instruções gerais e as recomendações para o trabalho aqui assinaladas. Todo consumidor tem de conhecer esta instrução para o uso do instrumento e tem de estar informado sobre os eventuais riscos ao trabalhar com o instrumento eléctrico. Crian-

ças e pessoas de físico fraco não podem utilizar o instrumento. As crianças têm de se encontrar sob constante controlo, quando se encontram perto do local de trabalho com o instrumento. É também obrigatório tomar medidas preventivas de segurança. O mesmo refere-se também ao acatamento das regras fundamentais de segurança e saúde profissional

- O fabricante não assume a responsabilidade pelas modificações introduzidas pelo consumidor no instrumento eléctrico ou pelas avarias causadas por tais modificações.
- O instrumento eléctrico não se deve usar à intempérie em tempo de chuva, em ambiente húmido (depois de chuva) ou perto de líquidos e gases inflamáveis. O local de trabalho tem de se manter bem iluminado.

Conhecimento sobre o instrumento eléctrico

Antes de começar a trabalhar com o aparelho eléctrico, conheça todas as suas especificidades operacionais e as condições de segurança.

Use o aparelho e os seus acessórios só para o que forem destinados. Qualquer outra aplicação é terminantemente proibida.

1. Calços de borracha
2. Interruptor de ligar/desligar
3. Regulador electrónico das rotações
4. Botão de travamento do interruptor
5. Cabo para a ficha de ligação
6. Pá misturadora
7. Eixo
8. Gola do instrumento
9. Regulador de velocidade (BM2 1380CEPlus)
10. Manípulos
11. Aberturas de ventilação
12. Chave-inglesa aberta SW 22
13. Chave 19 mm

Instruções para o trabalho

Este instrumento eléctrico alimenta-se só por tensão monofásica variável. Pode-se ligar a contactos sem braçadeiras de segurança, pois tem duplo isolamento de acordo com EN 60745-1 e IEC 60745. As interferências de rá-

dio correspondem à Directriz de compatibilidade electromagnética. O instrumento eléctrico é aplicável:

- Para trabalho industrial e doméstico;
- Para misturar materiais líquidos e semi líquidos de baixa viscosidade, como por ex. Tintas, vernizes, cola, alvenarias ligeiras, etc.
- Para o uso com pás misturadoras e acessórios indicados no manual ou recomendados pelo fabricante.

ANTES DE COMECAR O TRABALHO

- Verifique se a tensão alimentadora corresponde à assinalada sobre a chapa dos dados técnicos do instrumento.
- Verifique a posição do interruptor. O instrumento eléctrico tem de se ligar e desligar da rede só com o interruptor desligado. Se colocar a ficha no contacto quando o interruptor estiver ligado, o instrumento vai accionar-se imediatamente, o que pode originar um acidente.
- Certifique-se das boas condições do cabo alimentador e da ficha. Se o cabo estiver avariado, a substituição tem de se fazer pelo fabricante ou pelo seu especialista no serviço, para se evitarem eventuais riscos.
- Antes de começar o trabalho, o instrumento e a pá misturadora têm de ser verificados para avarias, falta de balanço e vibrações. Executar um arranque experimental.



ATENÇÃO: Desligue sempre o instrumento e retire a ficha da rede, antes de efectuar qualquer conserto, assistência ou manutenção, ou bem no caso de corte da tensão alimentadora.

LIGAR / DESLIGAR

Accionamento de pouca duração

Ligar: o interruptor de ligar/desligar (2) aperta-se.

Desligar: o interruptor de ligar/desligar (2) afrouxa-se.

Accionamento de longo trabalho

Ligar: o interruptor de ligar/desligar (2) aperta-se e em estado apertado trava-se com o botão de travamento do interruptor (4).

Desligar: o interruptor de ligar/desligar (2) aper-

ta-se só uma vez e afrouxa-se imediatamente.

CONTROLO ELECTRONICO INFINITAMENTE VARIÁVEL DAS ROTAÇÕES

O apertar leve do interruptor de ligar/desligar (2) provoca accionamento do instrumento eléctrico em baixas rotações que aumentam paulatinamente até ao máximo se aumentar a pressão sobre o interruptor de ligar/desligar até chegar à posição extrema.

ESCOLHA DAS ROTAÇÕES

A velocidade necessária atinge-se previamente girando o disco do regulador electrónico das rotações (3) no sentido da seta ou para o símbolo "+" para aumento das rotações e no sentido contrário à seta ou para o símbolo "-" para diminuição. Deste modo garante-se o regime de trabalho óptimo.

O misturador BM2 1380CEPlus está provido de redutor de duas velocidades. A comutação das velocidades faz-se girando o comutador 9 aos 180° na direcção indicada pela seta marcada sobre o comutador (direcção anti horária estando o instrumento parado).

COLOCAÇÃO OU MUDANÇA DO INSTRUMENTO DO TRABALHO

Retira-se a ficha da rede, se estiver ligado.

A pá misturadora (6) enrola-se manualmente no sentido horário. A pá misturada (6) desenrola-se com uma chave-inglesa SW22 no sentido anti horário.

Se a pá misturadora ficar apertada demais, para travamento do eixo (7) no sector use chave 19mm (13) ou uma chave-inglesa adicional.

RECOMENDAÇÕES

A pá misturadora continua a girar ainda algum tempo depois de desligar o aparelho. Se a pá misturadora girando entrar em contacto com uma superfície, pode causar um empurrão para trás. Ligar o instrumento mediante pressão paulatina no gatilho do interruptor de ligar/desligar (2) para atingir as rotações máximas só depois de a pá misturadora ter penetrado na solução misturada.

PROTECCAO DE SOBRECARGA

- No caso de pequenas sobrecargas duradouras acciona-se a protecção térmica que faz parar o motor. Para entrar em regime de trabalho é necessário desligar e de novo ligar o interruptor,

depois de o instrumento ter ficado a arrefecer durante 3-5 minutos.

- No caso de grandes sobrecargas momentâneas, acciona-se a proteção amperimétrica que corta a alimentação da máquina e fâ-la inapta para o trabalho. Ao faltar tal indicador, isto significa que o interruptor de arranque não tem travamento em posição de ligado.

- Os modelos possuem defesa contra arranque involuntário no caso de queda momentânea da tensão alimentadora ou desligação da máquina da corrente por mais de 0,5 s. O instrumento fica desligado e pode ser accionado só desligando e ligando de novo o interruptor de ligar/desligar. Ao faltar tal indicador, isto significa que o interruptor de arranque não tem travamento em posição de ligado.

ACESSÓRIOS QUE PODEM SER UTILIZADOS COM ESTE INSTRUMENTO ELÉCTRICO

Podem ser utilizados pás misturadoras de rotação à direita, rosca externa de adesão M14 e diâmetro máximo do corpo operacional Ø140 mm.

- Pás misturadoras SM120x570
- Pás misturadoras SM121x570

Não é obrigatório no conjunto do instrumento virem incluídas as pás misturadoras SM120x570 e SM121x570.

Manutenção



ATENÇÃO: Sempre desligue o instrumento da rede quando vai efectuar qualquer revisão ou manutenção.

SUBSTITUICAO DAS ESCOVAS

O instrumento eléctrico está provido de escovas auto. Quando ficarem desgastadas, as duas escovas têm de ser substituídas ao mesmo tempo por escovas originais na oficina de serviço da SPARKY para manutenção dentro do prazo de garantia e fora dele.

REVISAO GERAL

Verifique regularmente todos os elementos de suporte e certifique-se de que todos estão bem apertados. Se verificar que algum parafuso está afrouxado, aperte-o imediatamente para evitar situações de risco.

LIMPEZA

Visando a segurança de trabalho, mantenha sempre limpa a máquina e as aberturas de ventilação. Verifique regularmente se na grade de ventilação perto do motor eléctrico ou perto dos comutadores não tenham penetrado corpos alheios. Utilize uma escova macia para limpar o pó acumulado. Para preservar os olhos, utilize durante a limpeza óculos protectores. Se o corpo do instrumento precisa de limpeza, limpe-o com um pano macio levemente húmido. Pode ser utilizado um fraco detergente.



ATENÇÃO: Não se admite o uso de álcool, gasolina ou outro solvente. Não utilize nunca substâncias corrosivas para limpar as peças de plástico.



ATENÇÃO: Não se admite a penetração de água em contacto com o instrumento.

IMPORTANTE! Para garantir a segurança do trabalho com o instrumento eléctrico ou a sua fiabilidade, todas as actividades de reparação, manutenção e regulamento (incluindo a revisão e a substituição das escovas) têm de se realizar nas oficinas de serviço da SPARKY, utilizando só peças de substituição originais.

Garantia

O prazo de garantia dos instrumentos eléctricos SPARKY está indicado no cartão de garantia. Problemas surgidos em resultado do desgaste natural, sobrecarga ou utilização incorrecta, ficam excluídos dos deveres da garantia. Os problemas surgidos devido ao uso de materiais de baixa qualidade e/ou erros de fabricação, eliminam-se sem pagamento adicional, mediante substituição ou reparação. Reclamação por um instrumento eléctrico SPARKY defeituoso reconhece-se quando o instrumento for devolvido ao distribuidor ou for levado a uma oficina autorizada de assistência em prazo de garantia no seu estado inicial (montado).

Observações

Leia atentamente toda a instrução para o uso, antes de começar a trabalhar com esse aparelho. O fabricante reserva-se o direito de introduzir melhoras e modificações nos seus aparelhos, bem como modificar as especificações sem aviso. As especificações podem variar nos diferentes países.

Spis treści

| | |
|--|------|
| Wprowadzenie | 53 |
| Dane techniczne | 55 |
| Ogólne wytyczne dotyczące bezpieczeństwa pracy narzędziami elektrycznymi | 56 |
| Dodatkowe wytyczne dotyczące bezpieczeństwa pracy mieszadłami | 57 |
| Zapoznanie z elektronarzędziem | A/58 |
| Wytyczne pracy | 58 |
| Konserwacja | 60 |
| Gwarancja | 61 |

ROZPAKOWYWANIE

Ze względu na nowoczesne metody produkcji masowej, istnieje niewielkie prawdopodobieństwo, iż zakupione przez Państwa narzędzie jest wadliwe, bądź niekompletne. W przypadku stwierdzenia jakichkolwiek nieprawidłowości, nie uruchamiać narzędzia do chwili wymiany części lub usunięcia usterki. Niezastosowanie się do tego zalecenia może skutkować poważnym uszkodzeniem ciała.

MONTAŻ

Mieszadło dostarcza się w stanie opakowanym i zmontowanym.

Wprowadzenie

Zakupione przez Państwa elektronarzędzie marki SPARKY spełni nawet najbardziej wygórowane oczekiwania użytkownika. Zostało ono wyprodukowane z zachowaniem rygorystycznych norm jakościowych SPARKY, aby zagwarantować doskonałe parametry pracy. Przekonają się Państwo, że Wasze nowe narzędzie jest łatwe i bezpieczne w obsłudze i, przy zachowaniu odpowiednich zasad użytkowania, będzie Wam niezawodnie służyć przez wiele lat.

OSTRZEŻENIE!



Prosimy o dokładne zapoznanie się z niniejszą instrukcją obsługi przed użyciem urządzenia SPARKY, zwracając szczególną uwagę na ostrzeżenia i uwagi. Dzięki swoim cechom, urządzenie SPARKY zapewnia szybką i łatwą pracę. Bezpieczeństwo, niezawodność i wydajność były priorytetami przy konstruowaniu tego urządzenia aby zapewnić łatwość obsługi oraz utrzymania.



Nie wyrzucać produktów elektrycznych razem z odpadami z gospodarstw domowych! Zużyte artykuły elektryczne nie powinny być wyrzucane wraz z odpadami z gospodarstw domowych. Należy je utylizować w przeznaczonych do tego miejscach. Informacji na temat utylizacji udzielają władze lokalne bądź sprzedawcy.

OCHRONA ŚRODOWISKA



Utylizując urządzenie, osprzęt i opakowanie należy poddać poszczególne elementy sortowaniu z myślą o ochronie środowiska naturalnego. Elementy plastikowe zostały odpowiednio oznaczone, aby umożliwić utylizację wg odpowiedniej klasyfikacji odpadów.

OPIS SYMBOLI

Na tabliczce znamionowej narzędzia mogą znajdować się symbole oznaczające ważne informacje o produkcie lub instrukcji jego użytkowania.



Podwójna izolacja dla dodatkowego zabezpieczenia.



Zgodność ze stosowanymi dyrektywami europejskimi.



Spełnia wymagania przepisów Unii Celnej.



Zgodność z wymogami ukraińskich dokumentów normatywnych.




Zapoznanie się z instrukcją obsługi.

YYYY-Www Okres produkcji, gdzie zmiennymi symbolami są:
YYYY - rok produkcji,
ww - kolejny tydzień kalendarzowy.

BM Mieszadło.

Dane techniczne

| Model | BM 1380CEplus | BM2 1380CEplus |
|--|---------------------------|--|
| Pobór mocy | 1260 W | 1260 W |
| Częstotliwość obrotu biegu jałowego | 150-300 min ⁻¹ | 150-300min ⁻¹ /200-520min ⁻¹ |
| Zsynchronizowana przekładnia dwubiegowa | nie | tak |
| Regulacja elektroniczna obrotów | tak | tak |
| Elektronika stała | tak | tak |
| Złącze prądowe, zabezpieczenie temperaturowe | tak | tak |
| Zabezpieczenie przed samorzutnym rozruchem | tak | tak |
| Gwint łącznikowy wrzeciona | M14 | M14 |
| Ciężar (procedura EPTA 01/2014) | 5,0 kg | 5,1 kg |
| Klasa ochronności EN 60745-1  | II | II |

INFORMACJA O HAŁASIE I DRGANIACH

Wartości zmierzono zgodnie z EN 60745.

Emisja hałasu

A- poziom zważony ciśnienia

dźwiękowego L_{pA} 84,0 dB (A) 84,0 dB (A)

Nieokreśloność K_{pA} 3,0 dB (A) 3,0 dB (A)

A- poziom zważony natężenia

dźwiękowego L_{WA} 95,0 dB (A) 95,0 dB (A)

Nieokreśloność K_{WA} 3,0 dB (A) 3,0 dB (A)

Stosować środki ochrony przed hałasem!

Emisja drgań *

Wartość łączna drgań (suma wektorowa trzech osi), ustalona zgodnie z EN 60745:

Mieszanie roztworu o gęstości średniej

Wartość emitowanych drgań a_n <1,5 m/s² <1,5 m/s²

Nieokreśloność K 2,0 m/s² 2,0 m/s²

* Drgania ustalono zgodnie z pkt. 6.2.7 normy EN 60745.

Podany w niniejszej instrukcji poziom drgań został zmierzony zgodnie z określoną przez normę EN 60745 procedurą i może być używany do porównywania urządzeń. Może być stosowany do wstępnego określenia ekspozycji.

Deklarowany poziom emisji drgań odnosi się do głównego zastosowania urządzenia. Jeżeli urządzenie zostanie przeznaczone do innych zastosowań, z innym osprzętem lub nie będzie należycie konserwowane, poziom emisji wibracji może się różnić. Może to znacznie zwiększyć poziom ekspozycji w łącznym czasie pracy.

Aby dokładnie określić poziom ekspozycji na drgania, należy także brać pod uwagę okresy gdy urządzenie jest wyłączone, lub gdy nawet jest włączone, ale nie wykorzystywane do pracy. Może to znacznie obniżyć poziom ekspozycji na drgania w łącznym czasie pracy.

Chronić urządzenie oraz osprzęt oraz dbać o zapewnienie ciepła dłoniom podczas pracy w celu obniżenia szkodliwego wpływu drgań.

Pył z takich materiałów jak np. farba zawierająca ołów, niektóre gatunki drewna, minerały oraz metal może być szkodliwy. Kontakt lub inhalacja pyłów może spowodować reakcje alergiczne i/lub choroby układu oddechowego u operatora lub osób znajdujących się w bezpośredniej bliskości.

Pewne odmiany pyłów sklasyfikowane są jako rakotwórcze np. pył dębowy czy bukowy w szczególności w połączeniu z dodatkami zawierającymi chromaty i środki konserwujące. Materiały zawierające azbest mogą być obrabiane jedynie przez specjalistów.

- Miejsce pracy musi być dobrze wentylowane.
- Zaleca się stosowanie maski p.pyłowej lub filtrów klasy P2.

Przestrzegać przepisów krajowych odnośnie obrabianych materiałów.

Ogólne wytyczne dotyczące bezpieczeństwa pracy narzędziami elektrycznymi



OSTRZEŻENIE: Należy zapoznać się z niniejszą ogólną instrukcją bezpieczeństwa oraz całą instrukcją obsługi. *Nie przestrzeganie niniejszych instrukcji może spowodować porażenie prądem, pożar i/lub poważne obrażenia.*

Zachować niniejsze instrukcje na przyszłość.

Określenie „elektronarzędzie” odnosi się zarówno do urządzeń zasilanych z sieci (przewodowych) jak i zasilanych bateriami (bezzprzewodowych).

1) Bezpieczeństwo w miejscu pracy

- Miejsce pracy musi być zawsze dobrze oświetlone i czyste. *Niedoświetlenie oraz nieład mogą być przyczyną wypadków.*
- Nie należy używać urządzenia w obecności palnych płynów, gazów i pyłów. *Podczas pracy urządzenia powstają iskry, które mogą zapalić pyły lub opary.*
- Dzieci i osoby postronne nie powinny znajdować się w miejscu pracy elektronarzędziami. *Brak skupienia może spowodować utratę kontroli nad urządzeniem.*

2) Bezpieczeństwo elektryczne

- Wtyczka urządzenia musi pasować do gniazda zasilającego. Nie wolno modyfikować wtyczki w jakikolwiek sposób. Nie stosować żadnych adapterów w przypadku elektronarzędzi wymagających uziemienia. *Nie modyfikowane wtyczki oraz gniazda zasilające redukuje ryzyko porażenia prądem.*
- Unikać kontaktu z uziemionymi przedmiotami takimi jak, rury, grzejniki, piece i lodówki. *Ryzyko porażenia prądem wzrasta gdy ciało użytkownika zostanie uziemione.*
- Nie narażać urządzenia na kontakt z deszczem lub wilgocią. *Woda wnikać do urządzenia zwiększa ryzyko porażenia prądem.*
- Traktować przewód zasilający zgodnie z przeznaczeniem. Nigdy nie stosować przewodu do przenoszenia, przeciąga-

nia lub odłączania urządzenia od zasilania. Chronić przewód przed źródłem ciepła, olejami, przedmiotami o ostrych brzegach, ruchomymi częściami urządzeń. *Uszkodzony lub splątany przewód zwiększa ryzyko porażenia prądem.*

- Podczas pracy na zewnątrz należy zawsze stosować odpowiedni przewód przedłużający przystosowany do pracy na zewnątrz. Stosowanie przewodu przeznaczonego do pracy na zewnątrz zmniejsza ryzyko porażenia prądem.
 - Jeżeli nie ma możliwości uniknięcia pracy elektronarzędziem w wilgotnym środowisku, należy stosować zasilanie wyposażone w wyłącznik różnicowoprądowy. *Stosowanie wyłącznika różnicowoprądowego redukuje ryzyko porażenia prądem.*
- ## 3) Bezpieczeństwo osobiste
- Zawsze należy pracować w należyтым skupieniu i kierować się rozsądkiem. Nie używać urządzenia będąc zmęczonym lub pozostając pod wpływem narkotyków, alkoholu lub będąc w trakcie leczenia. *Chwila nieuwagi podczas pracy urządzeniem może być przyczyną poważnych uszkodzeń ciała.*
 - Stosować wyposażenie ochronne. Zawsze używać ochrony oczu. *Wyposażenie takie jak maska p.pyłowa, buty na podszewie antypoślizgowej, kask, ochronniki słuchu, stosowane w odpowiednich warunkach, redukuje zagrożenie uszkodzenia ciała.*
 - Unikać przypadkowego włączenia urządzenia. Upewnić się, że wyłącznik znajduje się w położeniu „wyłączony” przed podłączeniem urządzenia do źródła zasilania lub baterii. *Przenoszenie urządzenia trzymając za wyłącznik lub podłączając je do zasilania z wyłącznikiem w pozycji: „włączone” może być przyczyną wypadków.*
 - Usunąć wszelkie klucze przed włączeniem urządzenia. *Pozostawienie klucza w rotującej części urządzenia może spowodować obrażenia ciała.*
 - Nie przeceniać własnych możliwości. Zawsze dbać o odpowiednie oparcie dla nóg oraz balans. *Zapewni to lepszą kontrolę w nieoczekiwanych sytuacjach.*
 - Stosować odpowiednie ubranie. Nie nosić luźnych ubrań ani biżuterii. Nie zbliżać włosów, ubrania ani rękawic roboczych do ruchomych części urządzenia. *Luźne ubranie, biżuteria lub długie włosy*

mogą utkwic w ruchomych częściach urządzenia.

- g) Jeśli urządzenie jest wyposażone w adapter odprowadzania pyłów, należy sprawdzić czy jest odpowiednio podłączony i używany. Stosowanie systemu odprowadzania pyłów może obniżyć niebezpieczeństwa związane z pyleniem.

4) Używanie i konserwacja urządzenia

- a) Nie przeciążać urządzenia. Stosować odpowiednie urządzenie do każdej pracy. Należy użyć dobrego urządzenia wykonania pracę lepiej i bezpieczniej w trybie do jakiego zostało zaprojektowane
- b) Nie używać urządzenia jeśli włącznik nie działa. Każde urządzenie z uszkodzonym włącznikiem jest niebezpieczne i musi zostać naprawione.
- c) Zawsze należy odłączyć urządzenie od zasilania lub odłączyć baterie przed zmianą ustawień, wymianą akcesoriów lub odłożeniem po pracy. Takie działanie zmniejszy ryzyko przypadkowego włączenia urządzenia.
- d) Nieużywane urządzenie należy chronić przed dziećmi oraz nie zezwalać niepowołanym osobom nie znającym tego urządzenia lub niniejszej instrukcji na pracę tym urządzeniem. Elektronarzędzia są niebezpieczne w rękach nieprzeszkolonych osób.
- e) Konserwować elektronarzędzia. Sprawdzając połączenia części ruchomych, ewentualne uszkodzenia oraz inne czynniki mogące mieć wpływ na działanie urządzenia. W przypadku stwierdzenia uszkodzenia należy naprawić urządzenie przed dalszym użytkowaniem. Wiele wypadków spowodowanych jest nienależytą konserwacją urządzenia.
- f) Narzędzia tnące zawsze muszą być ostre. Odpowiednio konserwowane narzędzia tnące z ostrymi krawędziami rzadziej się zacinają w obrabianym materiale i są łatwiejsze w obsłudze.
- g) Niniejsze urządzenie oraz osprzęt do niego muszą być używane zgodnie z niniejszą instrukcją obsługi oraz w zakresie przewidzianym dla danego typu urządzenia. Zawsze należy brać pod uwagę rodzaj pracy do wykonania oraz warunki panujące w miejscu pracy. Użycie elektronarzędzi do celów innych niż opisane w niniejszej instrukcji obsługi może spowodować niebezpieczne sytuacje.

5) Serwis

- a) Niniejsze urządzenie należy serwisować wyłącznie w wykwalifikowanych serwisach z wykorzystaniem oryginalnych części zamiennych. Takie postępowanie zapewni należyte bezpieczeństwo elektronarzędzia.

Dodatkowe przepisy bezpieczeństwa przy pracy mieszadłami



Podczas pracy stosować środki ochrony wzroku przed wylatującymi cząstkami. Zakładać okulary ochronne.



Stosować środki ochronne przed wdychaniem pyłu. Pewne materiały mogą zawierać składniki toksyczne. Zakładać maskę przeciwpyłową.

- Zaleca się stosowanie rękawic ochronnych.



OSTRZEŻENIE: Przed podłączeniem elektronarzędzia do sieci zasilania, należy się upewnić, że napięcie zasilania jest zgodne z napięciem podanym na tabliczce znamionowej elektronarzędzia.

- Źródło zasilania o napięciu wyższym od wskazanego na elektronarzędziu może spowodować poważne porażenie operatorem prądem elektrycznym, jak również uszkodzenie elektronarzędzia.
- W razie wątpliwości, nie należy wkładać wtyczki elektronarzędzia do gniazdka zasilania.
- Korzystanie ze źródła zasilania o napięciu niższym od wskazanego na tabliczce znamionowej elektronarzędzia spowoduje uszkodzenie silnika elektrycznego.
- W celu zapobiegania ewentualnego przegrzania, zawsze należy rozwijać do końca kabla przedłużacza z bębna kablowego.
- W razie konieczności korzystania z przedłużacza, upewnić się należy, że jego przekrój odpowiada wartościom prądu znamionowego używanego elektronarzędzia, jak również sprawdzić sprawność przedłużacza.



OSTRZEŻENIE: Zawsze wyłączać elektronarzędzia i wyjmować wtyczkę z gniazda zasilania przed wykonaniem jakichkolwiek zabiegów nastawienia, obsługi lub konserwacji.

- Nie włączać maszyny pod obciążeniem, można ją odstawić dopiero po ostatecznym zaprzestaniu obrotów.
- Podczas pracy zawsze trzymać mocno elektronarzędzie oburącz oraz zachowywać stateczną pozycję ciała. Elektronarzędziem można sterować bardziej bezpiecznie trzymając je oburącz.
- Elektronarzędzie trzymać dalej ciała, a ręce chronić przed obracającymi się częściami maszyny.
- W przypadku, gdy elektronarzędzie wpadnie do rozmieszczonej masy, natychmiast wyjąć wtyczkę z gniazda i oddać maszyn do sprawdzenia w autoryzowanym serwisie. Materiał, który przedostał się do elektronarzędzia, może spowodować uszkodzenie i krótkie spięcie.
- Przy pracy w środowisku zapyłonym otwory wentylacyjne maszyny należy otrzymywać w stanie czystym. W razie potrzeby oczyszczenia otwory z pyłu, najpierw wyłączyć zasilanie i używać przedmiotów niemetalowych do usuwania pyłu, uważając by nie uszkodzić detali wewnętrznych elektronarzędzia.
- Kabel zasilania trzymać poza zasięgiem pracy elektronarzędzia.
- Nie używać elektronarzędzia z uszkodzonym kablem. Nie dotykać uszkodzonego kabla oraz natychmiast wyciągnąć wtyczkę z gniazda sieci, jeżeli kabel ulegnie uszkodzeniu podczas pracy. Uszkodzone kable zwiększają ryzyko doznania porażenia prądem.
- Elektronarzędzia używać wyłącznie zgodnie z jego przeznaczeniem. Każde inne zastosowanie odmienne od wskazanego w niniejszej instrukcji uważane jest za niewłaściwe. Odpowiedzialność za wszelkie uszkodzenia lub zranienia wynikające z niewłaściwego zastosowania spoczywa na użytkownika, a nie na producenta.
- Prawidłowa eksploatacja niniejszego elektronarzędzia wymaga przestrzegania przepisów bezpieczeństwa, ogólnych instrukcji i wskazówek pracy wskazanych tu. Wszyscy użytkownicy powinni zapoznać się z niniejszą instrukcją obsługi i być poinformowani o potencjalnych ryzykach przy pracy elektro-

narzędziem. Dzieci i fizycznie słabi ludzie nie powinni używać tegoż narzędzia. Dzieci przebywające w pobliżu miejsca pracy elektronarzędzia należy obserwować bez przerwy. Obowiązkowo należy podjąć prewencyjne środki bezpieczeństwa. To samo dotyczy także przestrzegania podstawowych przepisów higieny i bezpieczeństwa pracy.

- Producent nie ponosi odpowiedzialności za dokonane przez użytkownika zmiany w elektronarzędziu lub za uszkodzenia spowodowane tego rodzaju zmianami.
- Elektronarzędzia nie używać na wolnym powietrzu w pogodzie deszczowej, w środowisku wilgotnym (po deszczu) lub blisko łatwopalnych płynów i gazów. Miejsce pracy powinno być dobrze oświetlone.

Zapoznanie się z elektronarzędziem

Przed rozpoczęciem pracy elektronarzędziem należy zapoznać się wszystkimi szczegółami operacyjnymi i warunkami bezpieczeństwa. Używać elektronarzędzia i osprzętu wyłącznie zgodnie z ich przeznaczeniem. Każde inne zastosowanie jest stanowczo zakazane.

1. Tampony gumowe
2. Wyłącznik
3. Regulator elektroniczny obrotów
4. Przycisk zablokowania wyłącznika
5. Przewód z wtyczką
6. Mieszarka (końcówka do mieszania)
7. Wrzeciono
8. Szyjka łącznikowa maszyny
9. Przełącznik zakresu biegów (BM2 1380CEplus)
10. Rękojeści
11. Otwory wentylacyjne
12. Klucz maszynowy otwarty SW 22
13. Dwuścian 19mm

Wskazówki pracy

Niniejsze elektronarzędzie zasilane jest tylko jednofazowym napięciem zmiennym. Nadaje się do podłączenia do gniazd bez zacisków ochronnych, ponieważ posiada podwójną izolację zgodnie z EN 60745-1 i IEC 60745. Zakłócenia radiowe odpowiadają wymogom Dyrektywy dotyczącej kompatybilności elektromagnetycznej.

Zastosowanie elektronarzędzia:

- do pracy w przemyśle i gospodarstwie domowym;
- do mieszania materiałów płynnych u półpłynnych o niskiej lepkości jak: farby, lakiery, kleje, tynki lekkie i in.;
- do używania z mieszarkami (końcówkami do mieszania) i przyborami wskazanymi w instrukcji lub zalecanymi przez producenta.

PRZED PRZYSTĄPIENIEM DO PRACY

- Sprawdzić, czy napięcie sieci elektrycznej odpowiada wartości napięcia podanej na tabliczce znamionowej elektronarzędzia.
- Sprawdzić, w jakim położeniu znajduje się wyłącznik. Elektronarzędzie powinno się podłączać i odłączać od sieci zasilania tylko przy wykluczonym wyłączniku. W przypadku umieszczenia wtyczki do gniazda zasilania przy włączonym wyłączniku, elektronarzędzie natychmiast zostaje uruchomione, co stanowi przesłankę do wypadku.
- Upewnić się, co do sprawności kabla zasilania i wtyczki. Jeśli kabel zasilania lub PRCD są uszkodzone, wymiany należy dokonać u producenta lub przez jego specjalistę serwisowego by uniknąć komplikacji towarzyszących wymianie.
- Przed rozpoczęciem pracy, elektronarzędzie i mieszarkę należy sprawdzić na okoliczność uszkodzeń, dysbilansu i drgań. Dokonać próbnego uruchomienia.



OSTRZEŻENIE: Zawsze wyłączać elektronarzędzie i wyjmować wtyczkę z gniazda zasilania przed dokonaniem jakiegokolwiek czynności w zakresie nastawienia, obsługi lub konserwacji bądź zaniku napięcia zasilania.

ROZRUCH - ZATRZYMANIE

Krótkotrwałe uruchomienie:

Rozruch: wyłącznik 2 wcisnąć.

Zatrzymanie: wyłącznik 2 zwolnić.

Praca ciąga:

Rozruch: wyłącznik 2 wcisnąć i w tym stanie unieruchomić przyciskiem 4.

Zatrzymanie: wyłącznik 2 wcisnąć jednorazowo i natychmiast zwolnić

BEZSTOPNIOWA REGULACJA ELEKTRONICZNA OBROTÓW

Lekkie wciśnięcie wyłącznika 2 powoduje uru-

chomienie mieszadła na niskich obrotach, które płynnie wzrastają do maksymalnych z wzrostem nacisku na wyłącznik do osiągnięcia pozycji skrajnej.

WYBÓR OBROTÓW

Wymagana częstotliwość obrotów zadawana jest uprzednio poprzez obracanie pokręćła regulatora 3 w kierunku strzałki lub znaku "+" dla podwyższenia obrotów, a w kierunku odwrotnym strzałki lub znaku "-" + do obniżania obrotów. W ten sposób zapewnia się optymalny tryb pracy. Mieszadło BM2 1380CE Plus wyposażone jest w reduktor dwubiegowy. Przełączenie biegów odbywa się obracaniem przełącznika 9 o 180° w kierunku strzałki umieszczonej na przełączniku (w kierunku odwrotnym do wskazówki zegara przy zatrzymanej maszynie).

ZAKŁADANIE LUB WYMIANY NARZĘDZIA ROBOCZEGO

Wyjąć wtyczki z gniazda, jeśli jest włączony. Mieszarka (końcówka do mieszania) 6 zakręcana jest ręcznie w kierunku wskazówki zegara. Mieszarka (końcówka do mieszania) 6 odkręcana jest kluczem maszynowym SW22 w kierunku odwrotnym do wskazówki zegara. W razie nadmiernego dokręcenia mieszarki (końcówki do mieszania), do zablokowania wrzeczona 7 w obszarze dwuścianu 13 użyć dodatkowego klucza maszynowego o wymiarze 19mm.

ZALECENIA

Mieszarka obraca się przez pewien czas po jej wyłączeniu.

Jeśli obracająca się mieszarka dotknie powierzchni może spowodować odrzut.

Elektronarzędzie włączać płynnym naciskiem spustu wyłącznika 2 do osiągnięcia obrotów maksymalnych dopiero po zanurzeniu mieszarki w rozrabianą mieszankę.

OCHRONA PRZED PRZECIĄŻENIEM

- Przy małych przeciążeniach długotrwałych uruchamia się zabezpieczenie temperaturowe, które wyłącza silnik. Dla wprowadzenia trybu roboczego konieczne należy wyłączyć i ponownie włączyć wyłącznik, po schłodzeniu maszyny przez 3-5 minut.

- Przy dużych krótkotrwałych obciążeniach uruchamia się zabezpieczenie prądowe przerywające zasilanie maszyny, która staje się niezdolną do pracy. Aby ponownie uruchomić

urządzenie, najpierw wyłączyć a na następnie włączyć włącznik/wyłącznik.

- W przypadku zaniku napięcia (lub czasowym spadku napięcia na czas $t > 0.5$ s), gdy włącznik/wyłącznik znajduje się w pozycji "włączony", urządzenie nie powinno działać po powrocie zasilania. Aby ponownie uruchomić urządzenie, najpierw wyłączyć a na następnie włączyć włącznik/wyłącznik.

PRZYRZĄDY WSPÓŁPRACUJĄCE Z NINIEJSZYM ELEKTRONARZĘDZIEM

Stosować można mieszarki (końcówki do mieszania) o obrotach w prawym kierunku, ze wewnętrznym gwincie łącznikowym M14 i średnicy maksymalnej narzędzia roboczego $\varnothing 140$ mm.

- Mieszarka SM120x570
- Mieszarka SM121x570

Konserwacja



OSTRZEŻENIE: Zawsze wyłączać elektronarzędzie i wyjmować wtyczkę z gniazda sieci przed dokonywaniem jakichkolwiek zabiegów kontrolnych lub konserwacyjnych.

WYMIANA SZCZOTEK

Elektronarzędzie wyposażone jest w samowylączające się szczotki. W przypadku zużycia szczotek, obie szczotki należy wymienić jednocześnie na oryginalne szczotki w serwisie naprawczym SPARKY w ramach konserwacji gwarancyjnej i pozagwarancyjnej.

OGÓLNE SPRAWDZENIE

Sprawdzać regularnie wszystkie elementy mocujące upewniając się, że zostały mocno dociągnięte. W przypadku rozluźnienia jakiegokolwiek wkrętu, należy go niezwłocznie dokręcić dla uniknięcia powstania sytuacji ryzykownych. W razie uszkodzenia kabla zasilania, wymianę należy wykonać u producenta lub w jego autoryzowanym serwisie w celu uniknięcia ewentualnych komplikacji w wyniku wymiany.

CZYSZCZENIE

Dla bezpiecznej pracy należy zawsze utrzymywać w czystości elektronarzędzie i otwory wentylacyjne.

Sprawdzać regularnie, czy w kracie wentylacyjnej blisko silnika elektrycznego lub w okolicy

przełączników nie przedostał się pył lub obce ciała. Używać miękkiego pędzla do usuwania nagromadzonego pyłu. W celu ochrony oczu podczas czyszczenia zakładać okulary ochronne.

Gdy trzeba oczyścić korpus elektronarzędzia, wytrzeć go należy miękką ściereczką nawilżoną. Można stosować także łagodny środek do czyszczenia części plastikowych.



OSTRZEŻENIE: Nie wolno stosować spirytusu, benzyny lub innych rozpuszczalników. Nigdy nie stosować środków żrących do czyszczenia części plastikowych.



OSTRZEŻENIE: Nie wolno dopuścić do przedostania się wody do elektronarzędzia.

UWAGA! W celu zapewnienia bezpiecznej pracy elektronarzędziem i jego niezawodności, wszelkie czynności naprawcze, konserwacyjne i regulacyjne (w tym kontrola i wymiana szczotek) należy wykonywać w autoryzowanych serwisach naprawczych SPARKY używając wyłącznie oryginalnych części zamiennych.

Gwarancja

Okres gwarancji elektronarzędzi SPARKY jest określony w karcie gwarancyjnej produktu.

Usterki spowodowane normalnym zużyciem, przeciążeniem lub niewłaściwą obsługą, nie podlegają gwarancji.

Uszkodzenia wynikłe z wady materiałowej lub błędów produkcyjnych zostaną usunięte bezpłatnie w drodze naprawy lub wymiany urządzenia.

Reklamacje uszkodzonych urządzeń SPARKY zostaną rozpatrzone jeśli zostaną dostarczone w stanie w jakim stwierdzono wadę, nie rozmontowane, wraz z dokumentem zakupu i kartą gwarancyjną do autoryzowanego serwisu lub punktu sprzedaży.

Informacja

Przed użyciem należy dokładnie przeczytać niniejszą instrukcję.

Narzędzia SPARKY są stale ulepszone w związku z tym otrzymany produkt może nieznacznie różnić się od tego ukazanego w niniejszej instrukcji. Producent zapewnia sobie prawo do wprowadzania zmian bez uprzedzenia.

Specyfikacja może się różnić w zależności od kraju.

Содержание

| | |
|--|------|
| Введение | 62 |
| Технические данные | 64 |
| Общие указания по безопасности при работе с электроинструментами | 65 |
| Дополнительные указания по безопасности при работе с миксерами | 67 |
| Ознакомление с электроинструментом..... | A/68 |
| Указания к работе..... | 68 |
| Обслуживание | 69 |
| Гарантия..... | 70 |

РАСПАКОВКА

В соответствии с общепринятыми технологиями производства вероятность обнаружения неисправности новоприобретенного Вами электроинструмента или нехватки какой-нибудь из его частей весьма мала. Если все-таки Вы обнаружите любое несоответствие, просим не начинать использование электроинструмента перед заменой неисправной части или устранения дефекта. Невыполнение этой рекомендации может быть причиной серьезных несчастных случаев.

СГЛОБКА

Миксер смонтирован перед упаковкой и отправкой.

I - Введение

Новоприобретенный Вами электроинструмент SPARKY превзойдет Ваши ожидания. Его производство подчиняется высоким стандартам качества SPARKY, отвечающим строгим требованиям потребителя. Удобный для обслуживания и безопасный в эксплуатации, этот электроинструмент при правильном употреблении будет служить безотказно долгие годы.

ПРЕДОСТЕРЕЖЕНИЕ!



Прочтите внимательно и целиком инструкцию по эксплуатации перед использованием новоприобретенного электроинструмента SPARKY. Обратите специальное внимание на параграфы, обозначенным словом “Предостережение”. У Вашего электроинструмента SPARKY много качеств, которые облегчают работу. При разработке этого инструмента основное внимание было направлено на безопасность, эксплуатационные качества и надежность, которые облегчают его обслуживание и эксплуатацию.



Не выбрасывать электроинструменты вместе с бытовыми отбросами!

Отбросы электрических изделий нельзя собирать вместе с бытовыми отбросами. Они должны быть рециклированы на местах, предназначенных специально для этих целей. Просим обратиться к местным властям или к нашему представителю для получения информации насчет рециклирования.

ЗАЩИТА ОКРУЖАЮЩЕЙ СРЕДЫ



Для предохранения окружающей среды электроинструменты, принадлежности и упаковки должны быть переработаны подходящим образом для повторно использования содержащихся в них материалов. Для облегчения процесса рециклирования детали, сделанные из искусственных материалов, обозначены соответствующим способом.

ОПИСАНИЕ СИМВОЛОВ

На табличке с данными электроинструмента нанесены специальные символы, содержащие важную информацию о продукте или инструкции по использованию.



Двойная изоляция для дополнительной защиты.



Соответствует релевантным европейским директивам.



Соответствует требованиям правил Таможенного союза.



Соответствует требованиям украинским нормативным документам.




Ознакомьтесь с инструкцией по эксплуатации.

YYYY-Www Период производства, где переменные символы означают:
YYYY - год производства,
ww – очередная календарная неделя.

BM Миксер.

Технические данные

| Модель | BM 1380CEplus | BM2 1380CEplus |
|---|---------------------------|--|
| Потребляемая мощность | 1260 W | 1260 W |
| Частота вращения при холостом ходе | 150-300 min ⁻¹ | 150-300min ⁻¹ /200-520min ⁻¹ |
| Синхронизированная двухскоростная передача | нет | да |
| Электронное регулирование оборотов | да | да |
| Константная электроника | да | да |
| Токовый соединитель, температурная защита | да | да |
| Защиты от непроизвольного включения | да | да |
| Присоединительная резьба шпинделя | M14 | M14 |
| Вес (EPTA процедура 01/2014) | 5,0 kg | 5,1 kg |
| Класс защиты (EN 60745-1)  | II | II |

ИНФОРМАЦИЯ О ШУМЕ И ВИБРАЦИЯХ

Значения замерялись в соответствии со стандартом EN 60745.

Излучение шума

A-взвешенный уровень звукового

давления L_{pA} 84,0 dB (A) 84,0 dB (A)

Неопределенность K_{pA} 3,0 dB (A) 3,0 dB (A)

A-взвешенный уровень звуковой

мощности L_{WA} 95,0 dB (A) 95,0 dB (A)

Неопределенность K_{WA} 3,0 dB (A) 3,0 dB (A)

Используйте средства для защиты от шума!

Излучение вибраций *

Суммарные значения вибраций (векторная сумма трех направлений) определенные в соответствии с EN 60745:

Размешивание раствора со средней плотностью

Значение излученных вибраций $a_{h,r}$ <1,5 m/s² <1,5 m/s²

Неопределенность K 2,0 m/s² 2,0 m/s²

* Уровень вибраций измерен в соответствии с т.6.2.7 EN 60745.

Указанный в настоящую инструкцию уровень вибраций измерен в соответствии с установленную EN 60745 методику испытаний и может использоваться для сравнения электроинструментов. Уровень вибраций может использоваться для предварительной оценки воздействия.

Указанный уровень вибраций дан при условии использования инструмента по его прямому назначению. В тех случаях, когда электроинструмент используется для других целей, с другими принадлежностями, уровень вибраций может отличаться от указанного. В этих случаях уровень воздействия может значительно возрасти в рамках общего периода работы.

Для точной оценки воздействия вибраций во время определенного периода работы необходимо учитывать промежутки времени, в которые электроинструмент выключен, либо хотя и включен, но фактически не используется. Это может существенно сократить воздействия вибраций в течение всего периода работы.

Сохраняйте электроинструмент и его принадлежности в хорошем состоянии. Во время работы старайтесь сохранять руки теплыми - это поможет уменьшить вредное воздействие при работе с повышенной вибрацией.

Пыль материалов, как с краски с содержанием свинца, некоторых сортов древесины, минералов и металла может быть вредной для здоровья. Прикосновение к пыли и попадание пыли в дыхательные пути может вызвать аллергические реакции и/или заболевания дыхательных путей оператора или находящегося вблизи персонала.

- Следите за хорошей вентиляцией.
 - Рекомендуется пользоваться дыхательной защитной маской с фильтром класса P2.
- Соблюдайте действующие в Вашей стране предписания для обрабатываемых материалов.

Общие указания по безопасности при работе с электроинструментами



ПРЕДОСТЕРЕЖЕНИЕ! Прочитайте все предупреждения и указания по безопасности. Несоблюдение предупреждений и указаний по безопасности может привести к поражению электрическим током, от пожара и/или серьезные ранения.

Сохраните все предупреждения и указания для дальнейшего использования.

Термин “электроинструмент” во всех указанных ниже предупреждениях касается вашего электроинструмента, с питанием от сети (с кабелем) и/или электроинструмент с питанием от аккумуляторной батареи (без кабеля).

1) Безопасность рабочего места

- Содержите рабочее место в чистоте и хорошо освещенным. Беспорядок и недостаточное освещение являются предпосылками трудовых инцидентов.
- Не работайте с электроинструментами во взрывоопасной атмосфере при наличии воспламеняющихся жидкостей, газов или пыли. Электроинструменты создают искры, которые могут воспламенить пыль или пары.
- Держите детей и посторонних лиц на расстоянии, когда работаете с электроинструментом. Рассеивание может привести к потере контроля с Вашей стороны.

2) Электрическая безопасность

- Штепселя электроинструментов должны соответствовать контактному гнезду. Никогда не меняйте штепсель каким-либо способом. Не используйте какие-либо адаптерные штепселя для электроинструментов с защитным заземлением. Использование оригиналь-

ных штепселей и соответствующим им контактов уменьшает риск от удара электрическим током.

- Избегайте соприкосновения тела с землей или с заземленными поверхностями, такими как трубы, радиаторы, кухонные плиты и холодильники. Если ваше тело заземлено, существует повышенный риск поражения электрическим током.
 - Не оставляйте электроинструменты под дождем или во влажной среде. Проникновение воды в электроинструменты повышает риск от поражения электрическим током.
 - Используйте кабель по назначению. Никогда не используйте кабель для переноса электроинструмента, натягивания или отключения штепселя из контактного гнезда. Держите кабель далеко от тепла, масла, острых углов или движущихся частей. Поврежденные или запутанные кабели повышают риск от поражений электрическим током.
 - Во время наружной работы с электроинструментом используйте удлинитель, подходящий для этих целей. Использование удлинителя, предназначенного для внешних /наружных/ работ, уменьшает опасность от поражения электрическим током.
 - В случае, если работа с электроинструментом во влажной среде неизбежна, используйте предохранительное устройство, которое задействовано от остаточного тока для прерывания подачи тока. Использование предохранительного устройства уменьшает риск от поражения электрическим током.
- ### 3) Личная безопасность
- Будьте бдительными, работайте с повышенным вниманием и проявляйте благоразумие, когда работаете с электроинструментом. Не используйте электроинструмент, когда вы устали или находитесь под влиянием нарко-

тиков, алкоголя или медикаментов. Момент невнимания при работе с электроинструментом может привести к серьезной производственной травме.

- b) **Используйте индивидуальные средства защиты.** Носите всегда защитные очки. Индивидуальные средства защиты, такие как маска против пыли, нескользящая обувь, защитный шлем или средства для защиты слуха, используемые в конкретных условиях, снижают риск от производственных травм.
 - c) **Избегайте невольного пуска инструмента.** Убедитесь, что выключатель находится в положение „выключено” перед включением к источнику питания и/или аккумуляторной батарее перед тем, как его возьмете в руки или переносите. Ношение электроинструмента с пальцем на выключателе или подключение к источнику питания электроинструмента с выключателем во включенном положении является предпосылкой для производственной травмы.
 - d) **Удалите каждый ключ для затягивания или гаечный ключ перед включением электроинструмента.** Ключ для затягивания или гаечный ключ, прикрепленный к вращающейся части электроинструмента, может привести к трудовому инциденту.
 - e) **Не перетягивайтесь.** Поддерживайте правильное положение и равновесие в течение всей работы. Это позволит лучше управлять электроинструментом при неожиданных ситуациях.
 - f) **Носите подходящую рабочую одежду.** Не носите широкую одежду или украшения. Держите свои волосы, одежду и перчатки далеко от движущихся частей. Широкая одежда, бижутерия или длинные волосы могут попасть в движущиеся части.
 - g) **Если электроинструмент снабжен приспособлением для пыли, убедитесь, что они правильно установлены и правильно используются.** Использование этих устройств может понизить связанные с пылью опасности.
- 4) Эксплуатация и уход за электроинструментами**
- a) **Не перегружайте электроинструмент.** Используйте правильно выбранный электроинструмент согласно его назначению. Правильно подобранный электроинструмент работает лучше и безопасней для объявленного режима работы, для которого он спроектирован.
 - b) **Не используйте электроинструмент в случае, если выключатель не переключается во включенное и исключенное положение.** Каждый электроинструмент, который не может управляться с помощью его выключателя, опасен и подлежит ремонту.
 - c) **Отключите штепсель от электросети перед тем, как начать любые настройки, перед заменой принадлежностей или перед тем, как убрать электроинструмент для хранения.** Эти меры предосторожности снижают риск невольного пуска электроинструмента.
 - d) **Сохраняйте неиспользованные электроинструменты в местах, недоступных для детей и не позволяйте обслуживающему персоналу, который не знаком с электроинструментом или инструкциями по эксплуатации, работать с ним.** Электроинструменты являются опасными в руках необученных потребителей.
 - e) **Проверяйте электроинструменты.** Проверяйте, работают ли нормально и движутся ли свободно движущиеся части, находятся ли в целости и исправности части, а также проверяйте все прочие обстоятельства, которые могут неблагоприятно повлиять на работу электроинструмента. Если он поврежден, электроинструмент необходимо отремонтировать перед его дальнейшим использованием. Много инцидентов причиняются от плохо обслуживаемых электроинструментов.
 - f) **Поддерживайте режущие инструменты острыми и чистыми.** Правильно поддерживаемые режущие инструменты с острыми режущими углами реже блокируются и проще управляются.
 - g) **Используйте электроинструмент, принадлежности и части инструмента и т.д. в соответствии с этими инструкциями и способом, предусмотренным для конкретного типа электроинструмента, имея в виду рабочие условия и работу, которую необходимо выполнять.** Использование электроинструмента для работы не по назначению может привести к опасной ситуации.

5) Обслуживание

- а) Ремонтуйте ваш электроинструмент у квалифицированного специалиста по ремонту, при этом используйте только оригинальные запасные части. Это обеспечивает сохранение безопасности электроинструмента.

Дополнительные указания по безопасности при работе с миксерами



Во время работы используйте средства защиты зрения, чтобы предохраниться от выделяющихся частиц. Пользуйтесь защитными очками.



Берите предохранительные меры против вдоха пыли. Некоторые материалы могут содержать токсические составки.

- Рекомендуется использование защитных рукавиц.



ПРЕДОСТЕРЕЖЕНИЕ: Прежде чем связать электроинструмент к сети питания, убедитесь, что питающее напряжение отвечает на указанном на табличке техническими данными электроинструмента..

- Если источник питания напряжением выше указанного для электроинструмента, то он может вызвать серьезное поражение электрическим током на оператора и повреждение электроинструмента.
 - Если вы не уверены, не ставьте штепсель электроинструмента в розетке сети.
 - Если источник питания напряжением ниже указанного на табличке электроинструмента, то он может привести к повреждению электродвигателя.
 - Чтобы предотвратить звентуального перегревания, всегда развивайте кабель с удлинителем с кабельным барабаном до конца.
 - Когда необходимо использовать удлинитель, то убедитесь, что его сечение отвечает номинальному току использованного электроинструмента, а также и в исправности удлинителя.
- Не включайте машину под нагрузкой и не оставляйте ее без наблюдения до полного останова вращения.
 - При работе с машиной всегда держите ее стабильно обеими руками и находитесь в устойчивом положении. Данный электроинструмент управляется более безопасно обеими руками.
 - При работе всегда держите электроинструмент обеими руками, оператор должен занимать устойчивое положение.
 - В случае, если электроинструмент упадет в размешиваемую смесь, немедленно выдерните штепсель и занесите машину для проверки в оторизированный сервис. Проникший в электроинструмент материал может вызвать повреждение и причинить короткое замыкание.
 - При работе в пыльной среде вентиляционные отверстия машины необходимо содержать в чистоте. В случае необходимости удаления пыли, в первую очередь выключите источник питания и используйте неметаллические предметы для удаления пыли, стараясь не повредить внутренние детали машины.
 - Кабель питания должен находиться всегда вне рабочей зоны машины.
 - Не использовать электроинструменты с поврежденным кабелем. Не касаться поврежденного кабеля. Вынуть немедленно штепсель из розетки, если повреждение кабеля наступило во время работы. Неисправность кабеля грозит токовым поражением.
 - Электроинструмент использовать только по предназначению. Любое другое приложение, отличающееся от указанного в настоящей инструкции, будет считаться неправильным использованием. Производитель не несет никакой ответственности за ущерб и травмы, являющиеся следствием неправильного использования.
 - Для обеспечения правильной эксплуатации электроинструмента следует соблюдать правила безопасности, общие инструкции и указания по работе, перечисленные здесь.



ПРЕДОСТЕРЕЖЕНИЕ: Перед выполнением каких-либо работ по настройке, ремонту и обслуживанию, а также при отпадании напряжения питания обязательно выключить электроинструмент и вынуть штепсель из розетки.

Все потребители должны быть ознакомлены с настоящей инструкцией эксплуатации и предупреждены о потенциальных рисках, связанных с работой инструмента. Нельзя допускать дети и физически слабые особы к работе с электроинструментом. Дети, находящиеся в близости рабочей зоны машины, должны быть под непрерывным наблюдением. Принятие предупредительных мер безопасности обязательно. То же самое обязательно и касательно соблюдения основных правил профессиональной охраны здоровья и безопасности.

- Производитель не несет никакой ответственности за внесенные потребителем изменения и модификации машины, а также за повреждения и ущербы в результате таких изменений.
- Машину не следует использовать под открытым небом при дождливой погоде, во влажной среде (после дождя) или в близости легко воспламеняемых жидкостей и газов. Рабочее место должно быть хорошо освещено.

Ознакомление электроинструментом

До того, как приступить к работе с электроинструментом, познакомьтесь со всеми оперативными особенностями и условиями безопасности.

Используйте электроинструмент и его принадлежности только по назначению. Всякое другое применение абсолютно запрещено.

1. Резиновые тампоны
2. Выключатель
3. Электронный регулятор оборотов
4. Кнопка для застопаривания выключателя
5. Шнур с штепселем
6. Мешалка
7. Шпindelь
8. Присоединительная шейка машины
9. Переключатель скоростных режимов (BM2 1380CEplus)
10. Рукоятки
11. Вентиляционные отверстия
12. Гаечный ключ плоский SW 22
13. Двухстенный участок 19 мм

Указания к работе

Этот электроинструмент питается только однофазным переменным напряжением. Его можно включать в розетку питания без защитных клемм, так как у него двойная изоляция, согласно EN 60745-1 и IEC 60745. Радиопомехи соответствуют Директивы Европейского парламента и Совета относительно электромагнитной совместимости

Электроинструмент приложим:

- для работы в промышленности и быту;
- для размешивания жидких и полужидких материалов с низкой вязкостью, например: красок, лаков, клеев, легких штукатурок и пр.;
- для употребления с мешалками и принадлежностями, указанными в инструкции или рекомендуемыми производителем.

ПЕРЕД НАЧАЛОМ РАБОТЫ

- Проверьте соответствие напряжения электрической сети питания на указанном на табличке технических данных электроинструмента.
- Проверьте в какой позиции находится выключатель сети. Электроинструмент должен присоединяться и отделяться от сети питания только в отключенном положении выключателя сети. Если поставите штепсель в розетке питания пока выключатель находится в позиции "включено", то привод может задействоваться и это приведет к несчастному случаю.
- Убедитесь в исправности кабеля питания и штепселя. В случае обнаружения повреждения кабеля, его замена должна быть выполнена производителем или специалистом фирменного сервиса во избежание риска его замены.
- Перед началом работы проверить электроинструмент и мешалку по поводу повреждений, дебаланса и вибраций. Осуществить пробный пуск.



ПРЕДОСТЕРЕЖЕНИЕ: Перед выполнением каких-либо работ по настройке, ремонту и обслуживанию, а также при отпадании напряжения питания обязательно выключить электроинструмент и вынуть штепсель из розетки.

ПУСК - ОСТАНОВКА

Кратковременное приведение в действие

Пуск: Нажать на выключатель 2.

Остановка: Выключатель 2 опустить.

Продлжительная работа

Пуск: Нажать на выключатель 2 и в нажатом состоянии застопорить кнопкой 4.

Остановка: Нажать на выключатель 2 один раз и сразу же отпустить.

ЭЛЕКТРОННОЕ РЕГУЛИРОВАНИЕ ОБОРОТОВ

Легкий нажим на выключатель 2 приводит в действие миксер на низких оборотах, которые плавно увеличиваются до максимальных при увеличении нажима на выключатель до достижения крайней позиции.

ВЫБОР ОБОРОТОВ

Необходимая частота вращения задают предварительно, поворачивая диск регулятора 3 - поворот по стрелке или в направлении знака «+» для увеличения оборотов или поворот против стрелки или в направлении знака «-» для уменьшения оборотов. Таким образом обеспечивается оптимальный режим работы.

Миксер BM2 1380CE Plus снабжен двухскоростным редуктором. Переключение скоростей осуществляют только при остановленной машине, поворачивая переключатель 9 на 180° в направлении, указанном стрелкой на переключателе (против часовой стрелки).

УСТАНОВКА ИЛИ СМЕНА РАБОЧЕГО ИНСТРУМЕНТА

Отключить штепсель из контакта, если он был включен.

Мешалку 6 завинчивать рукой по часовой стрелке.

Мешалку 6 отвинчивать гаечным ключом SW22 против часовой стрелки, начиная резким движением. Если шпиндель вращается вместе с мешалкой, застопорить шпиндель 7 в области двустенного участка 13, используя дополнительный гаечный ключ 19 mm.

РЕКОМЕНДАЦИИ

Мешалка продолжает вращаться в течении определенного времени после выключения.

Прикосновение вращающейся мешалки к поверхности может вызвать обратный толчок.

Электроинструмент следует включать через плавный нажим на спуск выключателя 2 до достижения максимальных оборотов лишь после погружения мешалки в размешиваемую смесь.

ЗАЩИТА ОТ ПЕРЕГРУЗОК

- При меньших продолжительных перегрузках включается температурная защита, которая останавливает двигатель. Для восстановления рабочего режима освободить переключатель, выждать 3-5 минут для охлаждения машины снова включить переключатель.

- При больших кратковременных перегрузках срабатывает токовая защита, которое прерывает питание машины и делает ее неработоспособной. Для восстановления нормального состояния в таких случаях, необходимо выключить и затем заново включить переключатель питания.

- В случае утечки напряжения в сети питания (или моментного отпадания более чем на 0,5 s) и во включенном положении переключателя, при восстановлении питания инструмент не может сработать. Для восстановления нормального состояния в таких случаях, необходимо выключить и затем заново включить переключатель питания.

ПРИНАДЛЕЖНОСТИ, КОТОРЫЕ МОГУТ БЫТЬ ИСПОЛЬЗОВАНЫ ЭТИМ ЭЛЕКТРОИНСТРУМЕНТОМ

- Могут использоваться мешалки с правым вращением, внешней присоединительной резьбой M14 и максимальным диаметром рабочего тела Ø140mm.

- Мешалка SM120x570

- Мешалка SM121x570

В комплектацию машины не обязательно включение мешалок SM120x570 и SM121x570

Обслуживание



ПРЕДОСТЕРЕЖЕНИЕ: Всегда выключайте электроинструмент и вытаскивайте штепсель из розетки перед каждой проверкой или осуществлением ухода.

ЗАМЕНА ЩЕТОК

Электроинструмент оснащен самовыключающимися щетками. Когда щетки изнашиваются, машина выключается автоматически. В таком случае обе щетки должны быть заменены одновременно оригинальными щетками в сервисе SPARKY по гарантийному и внегарантийному обслуживанию.

ОБЩАЯ ПРОВЕРКА

Проверяйте регулярно все элементы крепления и убедитесь в том, что они крепко затянуты. В том случае, если какой-либо винт расслаблен, незамедлительно затяните его во избежание ситуаций, связанных с риском.

Если кабель питания поврежден, замена должна быть осуществлена производителем или его сервисным специалистом во избежание опасностей, связанных с заменой.

УБОРКА

Для безопасной работы всегда содержите машину и вентиляционные отверстия в чистоте

Регулярно проверяйте, не проникли ли в вентиляционные отверстия электродвигателя или около переключателей пыль или инородные тела. Используйте мягкую щетку и/или струю сгущенного воздуха, чтобы устранить накопившуюся пыль. Для защиты глаз во время уборки носите защитные очки.

Если корпус машины нужно почистить, протрите его мягкой влажной тряпкой. Можно использовать слабый препарат для мытья.



ПРЕДОСТЕРЕЖЕНИЕ: Не допускается использование спирта, бензина или других растворителей. Никогда не используйте разъедающие препараты для чистки пластмассовых частей.



ПРЕДОСТЕРЕЖЕНИЕ: Не допускается контакт воды с машиной.

ВАЖНО! Чтобы обеспечить безопасную работу электроинструментом и его надежность, все действия по ремонту, обслуживанию и регулированию (включительно проверку и замену щеток) следует осуществлять в специализированных сервисах SPARKY с исполь-

зованием только оригинальных резервных частей.

Гарантия

Гарантийный срок электроинструментов SPARKY указан в гарантийной карте.

Неисправности, появившиеся в результате естественного изнашивания, перегрузки или неправильной эксплуатации, не входят в гарантийные обязательства.

Неисправности, появившиеся вследствие применения некачественных материалов и/или из-за производственных ошибок, устраняются без дополнительной оплаты путем замены или ремонта.

Рекламации дефектного электроинструмента SPARKY принимаются в том случае, если машина будет возвращена поставщику, или специализированному гарантийному сервису в не разобранном (первоначальном) состоянии.

Замечания

Внимательно прочтите всю инструкцию по эксплуатации перед тем, как приступить к использованию этого изделия.

Производитель сохраняет за собой право вносить в свои изделия улучшения и изменения, а также изменять спецификации без предупреждения.

Спецификации для разных стран могут различаться.

Зміст

| | |
|---|------|
| Введення | 71 |
| Технічні дані | 73 |
| Загальні вказівки з безпеки при роботі з електроприладами | 74 |
| Додаткові вказівки з безпеки під час роботи з міксерами | 75 |
| Ознайомлення з електроінструментом | A/77 |
| Вказівки щодо роботи | 77 |
| Обслуговування | 78 |
| Гарантія | 79 |

РОЗПАКУВАННЯ

У відповідності з загальноприйнятими технологіями великосерійного виробництва, майже не існує ризику поломки Вашого електроінструменту, або відсутності будь-якої з його частин. Якщо ви все ж таки встановите пошкодження, не використовуйте електроінструмент до тих пір, поки дефектна частина не буде замінена, а несправність - усунена. Порушення цієї рекомендації може призвести до серйозного трудового інциденту.

ЗБІРКА

Міксер змонтований перед упаковкою і відправкою.

Введення

Придбаний Вами електроінструмент SPARKY перевершить Ваші очікування. Він зроблений у відповідності до високих стандартів якості SPARKY, що відповідають суворим вимогам споживача. Його легко обслуговувати і він безпечний при експлуатації, при правильному використанні цей електроінструмент буде служити Вам довгі роки.

ЗАСТЕРЕЖЕННЯ!



Прочитайте уважно і цілком інструкцію з експлуатації, перед використанням новоприданого електроінструменту SPARKY. Зверніть спеціальну увагу на параграфи, позначених словом "Застереження". У Вашого електроінструменту SPARKY багато якостей, які полегшують роботу. При розробці цього інструменту основну увагу було направлено на безпеку, експлуатаційні якості і надійність, які полегшують його обслуговування і експлуатацію.



Не викидайте електроінструменти разом з побутовими відходами!

Відходи від електричних виробів не варто збирати разом з побутовими відходами. Будь ласка, викидайте в місцях, призначених для цього. Зв'яжіться з місцевою владою або представником для консультації щодо повторної переробки.

ОХОРОНА НАВКОЛИШНЬОГО СЕРЕДОВИЩА



З урахуванням охорони навколишнього середовища електроінструмент, приналежності й упаковка повинні надати відповідній переробці для повторного використання сировини, що міститься в них. Для полегшення повторної переробки деталей, зроблених з штучних матеріалів, вони позначені відповідним чином.

ОПИС СИМВОЛІВ

Табличка з даними електродріля містить спеціальні символи. Вони є важливою інформацією про використання інструмента та його характеристики.



Подвійна ізоляція для додаткового захисту.



Відповідає чинним європейським директивам.



Відповідає регламентам Митного союзу.



Відповідає вимогам українських нормативних документів.



Ознайомтеся з інструкцією з експлуатації.

YYYY-Www Термін виробництва, де змінними символами є:
YYYY - рік випуску,
ww - черговий календарний тиждень.

BM Міксер.

Технічні дані

| Модель | BM 1380CEplus | BM2 1380CEplus |
|---|---------------------------|--|
| Споживана потужність | 1260 W | 1260 W |
| Частота ударів на неробочому ході | 150-300 min ⁻¹ | 150-300min ⁻¹ /200-520min ⁻¹ |
| Синхронізована двохшвидкісна передача | ні | так |
| Електронне регулювання обертів | так | так |
| Константна електроніка | так | так |
| Струмівий з'єднувач, температурний захист | так | так |
| Захисту від мимовільного увімкнення | так | так |
| Приєднувальна різьба шпинделя | M14 | M14 |
| Vapa (EPTA процедура 01/2014) | 5,0 kg | 5,1 kg |
| Клас захисту (EN 60745-1)  | II | II |

ІНФОРМАЦІЯ ПРО ШУМ І ВІБРАЦІЇ

Значення замірялися відповідно до стандарту EN 60745.

Випромінювання шуму

| | | |
|---|-------------|-------------|
| A-зважений рівень звукового тиску L _{рА} | 84,0 dB (A) | 84,0 dB (A) |
| Невизначеність K _{рА} | 3,0 dB (A) | 3,0 dB (A) |
| A-зважений рівень звукової потужності L _{вА} | 95,0 dB (A) | 95,0 dB (A) |
| Невизначеність K _{вА} | 3,0 dB (A) | 3,0 dB (A) |

Використовуйте засоби для захисту від шуму!

Випромінювання вібрацій *

Сумарні значення вібрацій (векторна сума трьох напрямків) визначені відповідно до EN 60745:

Розмішування розчину з середньою щільністю

| | | |
|---|-----------------------|-----------------------|
| Значення випромінених вібрацій a _р | <1,5 m/s ² | <1,5 m/s ² |
| Невизначеність K | 2,0 m/s ² | 2,0 m/s ² |

* Рівень вібрацій виміряно у відповідності з т.6.2.7 N 60745.

Вказаний в інструкції рівень вібрацій виміряний відповідно до встановлених EN 60745 методик випробувань, і може використовуватися для порівняння електроінструментів. Рівень вібрацій може використовуватися для попередньої оцінки впливу.

Зазначений рівень вібрацій надано за умови використання інструменту за його прямим призначенням. У тих випадках, коли електроінструмент використовується для інших цілей, з іншими речами, рівень вібрацій може відрізнятись від зазначеного. У цих випадках рівень впливу може значно зрости в рамках загального періоду роботи.

Для точної оцінки впливу вібрацій, під час певного періоду роботи необхідно враховувати проміжки часу, в які електроінструмент вимкнено, або хоча і включений, але фактично не використовується. Це може істотно скоротити вплив вібрацій протягом всього періоду роботи.

Зберігайте електроінструмент і його речі в гарному стані. Під час роботи намагайтеся зберігати руки теплими - це допоможе зменшити шкідливий вплив при роботі з підвищеною вібрацією.

Пил матеріалів, наприклад - фарби з вмістом свинцю, деяких сортів деревини, мінералів і металу може бути шкідливим для здоров'я. Дотик до пилу і потрапляння пилу в дихальні шляхи може викликати алергічні реакції та / або захворювання дихальних шляхів оператора або персоналу, що знаходиться поблизу.

Певні види пилу, наприклад, з дуба та бука, вважаються канцерогенними, особливо, спільно з присадками для обробки деревини (хромат, засіб для захисту деревини, тощо). Матеріал з вмістом азбесту дозволяється обробляти тільки фахівцям.

- По можливості застосовуйте відсмоктування пилу.
- Для досягнення максимально високої ефективності збирання пилу при роботі з даним приладом, використовуйте пилосос, призначений для збору пилу з деревини або для пилу з деревини та / або мінерального пилу.
- Слідкуйте за хорошою вентиляцією.

- Рекомендується користуватися дихальною захисною маскою з фільтром класу P2. Дотримуйтесь розпорядження щодо оброблюваних матеріалів, що діють у Вашій країні.

Загальні вказівки з безпеки при роботі з електроприладами



ЗАСТЕРЕЖЕННЯ! Прочитайте всі попередження і вказівки з безпеки. Недодержання попереджень і вказівок з безпеки може призвести до ураження електричним струмом, пожежі та / або важкого поранення.

Збережіть всі попередження та вказівки для подальшого використання.

Термін “електроприлад” у всіх зазначених нижче попередженнях стосується вашого електроприладу, з живленням від мережі (з кабелем), та / або електроприладу з живленням від акумуляторної батареї (без кабелю).

1) Безпека робочого місця

- Утримайте робоче місце в чистоті і добре освітленим. Безлад і недостатнє освітлення є передумовою виникнення трудових інцидентів.
- Не працюйте з електроприладами у вибухонебезпечній атмосфері при наявності займих рідин, газів або пилу. Електроприлади створюють іскри, що можуть займати пил або пари.
- Тримайте дітей та сторонніх осіб на відстані, коли працюєте з електроприладом. Розсіювання уваги може призвести до втрати контролю з Вашого боку.

2) Електрична безпека

- Штепселі електроприладів повинні відповідати контактним гніздам. Ніколи не змінюйте штепсель у будь-який спосіб. Не використовуйте будь-які адаптерні штепселі для електроприладів із захисним заземленням. Використання оригінальних штепселів і відповідних їм контактів зменшує ризик удару електричним струмом.
- Уникайте дотику тіла з землею або заземленими поверхнями, такими як труби, радіатори, кухонні плити та холодильники. Якщо ваше тіло зазем-

лене, існує підвищений ризик ураження електричним струмом.

- Не залишайте електроприлади під дощем або у вологому середовищі. Проникнення води в електроприлади підвищує ризик ураження електричним струмом.
 - Використовуйте кабель за призначенням. Ніколи не використовуйте кабель для перенесення електроприладу, натягування або відключення штепселя з контактної гнізда. Тримайте кабель далеко від тепла, олії, гострих кутів, що рухаються. Пошкоджені або заплутані кабелі підвищують ризик поразок електричним струмом.
 - Під час зовнішніх робіт використовуйте подовжувач, що підходить для цих цілей. Використання подовжувача, призначеного для зовнішніх робіт, зменшує небезпеку від ураження електричним струмом.
 - У випадку, якщо робота з електроприладом у вологому середовищі неминуча, використовуйте запобіжний пристрій, який робить на залишковому струмі для переривання подачі струму. Використання запобіжного пристрою зменшує ризик ураження електричним струмом.
- ### 3) Особиста безпека
- Будьте пильні, працюйте з підвищеною увагою і проявляйте розсудливість, коли працюєте з електроприладом. Не використовуйте електроприлад, коли ви стомлені, або під впливом наркотиків, алкоголю, медикаментів, тощо. Одна мить неувagi при роботі з електроприладом може призвести до серйозної виробничої травми.
 - Використовуйте індивідуальні засоби захисту. Носіть завжди захисні окуляри. Індивідуальні засоби захисту, такі як маска проти пилу, неслизке взуття, захисний шолом або засоби для захисту слуху, що використовуються в конкретних умовах, знижують ризик виникнення виробничих травм.
 - Уникайте мимовільного пуску інструменту. Переконайтеся, що вимикач знаходиться в положенні “вимкнено” перед включенням в джерело жив-

лення та / або акумуляторної батареї, перед тим, візьмете в руки або перенесите. Носіння електроприладу з пальцем на вимикачі або підключення до джерела живлення електроінструменту з вимикачем у включеному положенні є передумовою для виробничої травми.

- d) Видаліть кожен гайковий ключ перед включенням електроприладу. Ключ для затягування або гайковий ключ, прикріплений до частини електроприладу, що обертається, може призвести до трудового інциденту.
- e) Не простягайтесь занадто. Підтримуйте правильне положення і рівновагу протягом всієї роботи. Це дозволить краще керувати електроприладом у несподіваних ситуаціях.
- f) Носіть придатний одяг. Не носіть широкий одяг або прикраси. Тримайте своє волосся, одяг і рукавички далеко від рухомих частин. Широкий одяг, біжутерія та довге волосся можуть потрапити в рухомі частини.
- g) Якщо електроприлад має пристосування для пилу, переконайтеся, що воно правильно встановлено і правильно використовується. Використання цих пристроїв може знизити пов'язані з пилом небезпеки.

4) Експлуатація і догляд за електроприладами

- a) Не перевантажуйте електроприлад. Використовуйте правильно вибраний електроприлад згідно з його призначенням. Правильно підібраний електроприлад працює краще і безпечніше для оголошеного режиму роботи, для якого він спроектований.
- b) Не використовуйте електроприлад у випадку, якщо вимикач не переходить у включену і виключену позицію. Кожен електроприлад, який не може управлятися за допомогою вимикача, є небезпечним і підлягає ремонту.
- c) Вимкніть штепсель від електромережі перед тим, як почати будь-які налаштування, перед заміною приладдя або перед тим, як приборати електроприлад для зберігання. Ці запобіжні заходи знижують ризик мимовільного пуску електроприладу.
- d) Зберігайте невикористані електроприлади в місцях, недоступних для дітей, і не дозволяйте користуватися ним обслуговуючому персоналу, який не зна-

йомий з електроприладом або інструкціями з експлуатації. Електроприлади є небезпечними в руках ненавчених споживачів.

- e) Перевіряйте електроприлади. Перевіряйте, чи працюють нормально і рухаються вільно рухомі частини, чи знаходяться в цілості і справності усі частини, а також перевіряйте всі інші обставини, які можуть негативно вплинути на роботу електроприладу. У разі ушкодження електроприлад необхідно відремонтувати перед його подальшим використанням. Багато інцидентів заподіюються у випадку поганого обслуговування електроприладів.
- f) Підтримуйте ріжучі інструменти гострими і чистими. Правильно підтримані ріжучі інструменти з гострими кутами рідше блокуються і простіше управляються.
- g) Використовуйте електроприлад, приналежності (комплектуючі) і частини інструменту і т.д. відповідно до цих інструкцій та у засіб, передбачений для конкретного типу електроприладу, маючи на увазі робочі умови і роботу, яку необхідно виконувати. Використання електроприладу для роботи не за призначенням може призвести до небезпечної ситуації.

5) Технічне обслуговування

- a) Ремонтуйте ваш електроприлад у кваліфікованого фахівця з ремонту, при цьому використовуйте тільки оригінальні запасні частини. Це забезпечує безпеку електроприладу.

Додаткові вказівки з безпеки під час роботи з міксерами



Під час роботи використовуйте засоби захисту зору, щоб вберегтися від частинок, що виділяються. Користуйтеся захисними окулярами.



Використовуйте запобіжні засоби проти вдихання пилу. Деякі матеріали можуть містити токсичні складові.

- Рекомендується використовувати захисні рукавиці.



ЗАСТЕРЕЖЕННЯ: Перш ніж пов'язати електроінструмент із мережею живлення, переконайтеся, що напруга живлення відповідає зазначеному на таблиці технічним даним електроінструменту.

- Якщо джерело живлення напругою вище зазначеної для електроінструменту, то воно може викликати серйозне ураження оператора електричним струмом і пошкодження електроінструменту.
- Якщо ви не впевнені, не вставляйте штепсель електроінструменту у розетку мережі.
- Якщо джерело живлення напругою нижче зазначеної на таблиці електроінструменту, то воно може привести до пошкодження електродвигуна.
- Для запобігання еventуального перегрівання, завжди розмотуйте кабель із подовжувачем із кабельним барабаном до кінця.
- У разі необхідності використання подовжувача, переконайтеся, що його переріз відповідає номінальному струму електроінструменту, що використовується, а також у справності подовжувача.



ЗАСТЕРЕЖЕННЯ: Перед виконанням будь-яких робіт із налаштування, ремонту та обслуговування, а також у разі відпадинна напруги живлення обов'язково вимкнути електроінструмент і вийняти штепсель із розетки.

- Не вмикайте машину під навантаженням і не залишайте її без нагляду до повної зупинки обертання.
- Під час роботи з машиною завжди тримайте її стабільно обома руками і знаходьтеся у стійкому положенні. Даний електроінструмент управляється більш безпечно обома руками.
- Під час роботи завжди тримайте електроінструмент обома руками, оператор повинен займати стійке положення.
- У разі падіння електроінструменту у суміш, що розмішується, негайно витягніть штепсель і занесіть машину для перевірки в авторизований сервіс. Матеріал, що потрапив до електроінструменту може викликати пошкодження і заподіяти коротке замикання.
- При роботі у пилястому середовищі вентиляційні отвори машини необхідно утримувати у чистоті. У разі необхідності видалення пилу, у першу чергу вимкніть джерело живлення і використовуйте неметалеві пред-

мети для видалення пилу, намагаючись не пошкодити внутрішні деталі машини.

- Кабель живлення повинен завжди знаходитися поза робочої зони машини.
- Не використовувати електроприлади з пошкодженим кабелем. Не торкатися пошкодженого кабелю. Вийняти негайно штепсель із розетки, якщо пошкодження кабелю настало під час роботи. Несправність кабелю загрожує поразкою струмом.
- Електроінструмент використовувати тільки за призначенням. Будь-яке інше застосування, відмінне від зазначеного у цій інструкції, вважатиметься неправильним застосуванням. Виробник не несе ніякої відповідальності за збитки і травми, що є наслідком неправильного застосування.
- Для забезпечення правильної експлуатації електроінструмента слід дотримуватися правил безпеки, загальних інструкцій та вказівок по роботі, що тут перелічуються. Всі споживачі повинні бути ознайомлені з цією інструкцією експлуатації та попереджені про потенційні ризики, пов'язані з роботою інструменту. Не можна допускати дітей і фізично слабких осіб до роботи з електроінструментом. Діти, що знаходяться поблизу робочої зони машини, повинні бути під безперервним спостереженням. Прийняття запобіжних заходів безпеки обов'язкове. Те ж саме обов'язкове і щодо дотримання основних правил професійної охорони здоров'я і безпеки.
- Виробник не несе будь-якої відповідальності за змінення, що уносяться споживачем і модифікації машини, а також за пошкодження та збитки у результаті таких змінень.
- Машину не слід використовувати під відкритим небом під час дощової погоди, у вологому середовищі (після дощу) або поблизу легко займистих рідин і газів. Робоче місце має бути добре освітлене.

Ознайомлення з електроінструментом

До того, як розпочати роботу з електроінструментом, ознайомтеся з усіма робочими особливостями й умовами безпеки.

Використовуйте електроінструмент і його приладдя тільки за призначенням. Будь-яке інше застосування абсолютно заборонене.

1. Гумові тампони
2. Вимикач
3. Електронний регулятор обертів
4. Кнопка для блокування вимикача
5. Шнур із штепселем
6. Мішалка
7. Шпindelь
8. Шийка машини, що приєднується
9. Перемикач швидкісних діапазонів (BM2 1380CEPlus)
10. Рукоятки
11. Вентиляційні отвори
12. Гайковий ключ плаский SW 22
13. Двостінна ділянка 19 мм

Вказівки щодо роботи

Цей електроінструмент живиться тільки однофазною змінною напругою. Його можна включити у розетку живлення без захисних клем, оскільки він має подвійну ізоляцію, згідно EN 60745-1 й IEC 60745. Радіоперешкоди відповідають Директиві Європейського парламенту та Ради щодо електромагнітної сумісності Електроінструмент застосовується:

- для робіт у промисловості та побуті;
- для розмішування рідких і напіврідких матеріалів із низькою в'язкістю, наприклад: фарб, лаків, клеїв, легких штукатурок й ін.;
- для вживання з мішалками і приладдям, зазначеним в інструкції або рекомендованим виробником.

ПЕРЕД ПОЧАТКОМ РОБОТИ

- Перевірте відповідність напруги електричної мережі живлення зазначеним на табличці технічним даним електроінструменту.
- Перевірте, в якій позиції знаходиться вимикач мережі. Електроінструмент повинен приєднуватися і від'єднуватися від мережі живлення тільки у відключеному положенні вимикача мережі. Якщо вставите штепсель у розетку живлення поки вимикач знаходиться у позиції "увімкнено", то привід може ввімкнутися, і це призведе до нещасного випадку.
- Переконайтеся у справності кабелю живлення і штепселя. У разі виявлення пошкодження кабелю, його заміна повинна бути виконана виробником або фахівцем фірмового сервісу щоб уникнути ризику його заміни.

- Перед початком роботи перевірити електроінструмент і мішалку щодо ушкоджень, дебалансу і вібрації. Здійснити пробний пуск.



ЗАСТЕРЕЖЕННЯ: Перед виконанням будь-яких робіт із налаштування, ремонту та обслуговування, а також у разі відпадиння напруги живлення обов'язково вимкнуті електроінструмент і вийняти штепсель із розетки.

ПУСК - ЗУПИНКА

Короткочасне приведення у дію

Пуск: Натиснути на вимикач 2.

Зупинка: Вимикач 2 опустити.

Тривала робота

Пуск: Натиснути на вимикач 2 й у натиснутому стані застопорити кнопкою 4.

Зупинка: Натиснути на вимикач 2 один раз і відразу ж відпустити.

ЕЛЕКТРОННЕ РЕГУЛЮВАННЯ ОБЕРТІВ

Легкий натиск на вимикач 2 приводить у дію міксер на низьких оборотах, які плавно збільшуються до максимальних під час збільшення тиску на вимикач до досягнення крайньої позиції.

ВИБІР ОБЕРТІВ

Необхідну частоту обертань задають заздалегідь, повертаючи диск регулятора 3 - поворот за стрілкою або у напрямку знака «+» для збільшення оборотів або поворот проти стрілки або у напрямку знака «-» для зменшення обертів. Таким чином забезпечується оптимальний режим роботи.

Міксер BM2 1380CE Plus обладнаний двошвидкісним редуктором. Перемикач швидкостей здійснюють тільки під час зупинення машини, повертаючи перемикач 9 на 180 ° у напрямку стрілки на перемикачі (проти годинникової стрілки).

УСТАНОВКА АБО ЗМІНА РОБОЧОГО ІНСТРУМЕНТУ

Відключити штепсель із контакту, якщо він був включений.

Мішалку 6 загвинчувати рукою за годинниковою стрілкою.

Мішалку 6 відгвинчувати гайковим ключем SW22 проти годинникової стрілки, починаючи різким рухом. Якщо шпindel обертається разом із мішалкою, застопорити шпindel 7 в області двостінної ділянки 13, використовуючи додатковий гайковий ключ 19 mm.

РЕКОМЕНДАЦІЇ

Мішалка продовжує обертатися протягом певного часу після вимкнення.

Дотик мішалки, що обертається до поверхні може викликати зворотний поштовх.

Електроінструмент слід включати плавним натиском на пуск вимикача 2 до досягнення максимальних обертів лише після занурення мішалки у суміш, що розмішується.

ЗАХИСТ ВІД ПЕРЕВАНТАЖЕННЯ

- Під час менш тривалих перевантажень включається температурний захист, який зупиняє двигун. Для відновлення робочого режиму звільнити перемикач, почекавши 3-5 хвилин для охолодження машини і знову включити перемикач.

- При великих короточасних перевантаженнях спрацьовує струмовий захист, який перериває харчування машини і робить її непридатною. Для відновлення нормального стану у таких випадках, необхідно вимкнути і потім заново увімкнути перемикач живлення.

- У разі зниження напруги у мережі живлення (або моментного зникнення більш ніж на 0,5 s) й перебуванні вимикача у включеному положенні, після відновлення живлення інструмент не зможе увімкнутися. Для відновлення нормального стану у таких випадках, необхідно вимкнути і потім заново увімкнути перемикач живлення.

ПРИЛАДДА, ЩО МОЖЕ ВИКОРИСТОВУВАТИСЯ ЦИМ ЕЛЕКТРОІНСТРУМЕНТОМ

- Можуть використовуватися мішалки з прямими обертаннями, зовнішнім приєднувальним різьбленням M14 і максимальним діаметром робочого тіла Ø140мм.

- Мішалка SM120x570

- Мішалка SM121x570

У комплектацію машини не обов'язково входять мішалки SM120x570 і SM121x570

Обслуговування



ЗАСТЕРЕЖЕННЯ: Завжди вимикайте електроінструмент і витягуйте штепсель із розетки перед кожною перевіркою або здійсненням догляду.

ЗАМІНА ЩІТОК

Електроінструмент оснащений щітками, що вимикаються самостійно. Коли щітки зношуються, машина вимикається автоматично. У такому разі обидві щітки повинні бути замінені одночасно оригінальними щітками у сервісі SPARKY по гарантійному та позагарантійному обслуговуванню.

ЗАГАЛЬНА ПЕРЕВІРКА

Перевіряйте регулярно всі елементи кріплення і переконайтеся у тому, що вони міцно затягнуті. У тому випадку, якщо який-небудь гвинт послаблений, негайно затягніть його, щоб уникнути ситуацій, пов'язаних із ризиком.

Якщо кабель живлення пошкоджений, заміна повинна бути здійснена виробником або його сервісним фахівцем, щоб уникнути небезпеки, що пов'язана з заміною.

ОЧИЩЕННЯ

Для безпечної роботи завжди тримайте машину і вентиляційні отвори у чистоті

Регулярно перевіряйте, чи не проникли у вентиляційні отвори електродвигуна або навколо перемикачів пил або сторонні предмети. Використовуйте м'яку щітку та/або струмінь згущеного повітря, щоб усунути пил, що накопився. Для захисту очей під час прибирання носіть захисні окуляри.

Якщо корпус машини потрібно почистити, протріть його м'якою вологою ганчіркою. Можна використовувати слабкий мийний засіб.



ЗАСТЕРЕЖЕННЯ: Не допускається використання спирту, бензину або інших розчинників. Ніколи не використовуйте препарати, що роз'їдають для чищення пластмасових частин.



ЗАСТЕРЕЖЕННЯ: Не допускається контакт води з машиною.

ВАЖЛИВО! Щоб забезпечити безпечну роботу з електроінструментом і його надійність, всі дії з ремонту, обслуговування та регулювання (включаючи перевірку і заміну щіток) слід здійснювати у спеціалізованих сервісах SPARKY з використанням тільки оригінальних запасних частин.

Гарантія

Гарантійний термін електроприладів SPARKY вказаний в гарантійній карті.

Несправності, що з'явилися в результаті природного зношування, перевантаження або неправильного користування, не входять до гарантійних зобов'язань.

Несправності, що з'явилися внаслідок застосування неякісних матеріалів та / або через виробничі помилок, усуваються без додаткової оплати шляхом заміни або ремонту.

Рекламації дефектного електроприладу SPARKY приймаються у тому випадку, якщо прилад буде повернуто постачальнику, або спеціалізованому гарантійного сервізу в не розібраному (початковому) стані.

Примітки

Уважно прочитайте всю інструкцію з експлуатації, перед тим, як приступити до використання виробу.

Виробник зберігає за собою право вносити у свої вироби поліпшення і зміни, а також змінювати специфікації без попередження.

Специфікації для різних країн можуть відрізнятися.

Съдържание

| | |
|--|------|
| Въведение | 80 |
| Технически данни | 82 |
| Общи указания за безопасност при работа с електроинструменти | 83 |
| Допълнителни указания за безопасност при работа с миксери | 85 |
| Запознаване с електроинструмента | A/86 |
| Указания за работа | 86 |
| Поддръжка | 87 |
| Гаранция | 88 |

РАЗОПАКОВАНЕ

В съответствие с общоприетите технологии на производство е малко вероятно новопридобитият от Вас електроинструмент да е неизправен или някоя от частите му да липсва. Ако забележите, че нещо не е наред, не работете с електроинструмента, докато повредената част не бъде заменена или неизправността не бъде отстранена. Неспазването на тази препоръка може да доведе до сериозна трудова злополука.

СГЛОБЯВАНЕ

Миксерът се доставя опакован и сглобен.

Въведение

Новопридобитият от Вас електроинструмент SPARKY ще надхвърли Вашите очаквания. Той е произведен в съответствие с високите стандарти на качеството на SPARKY, отговарящи на строгите изисквания на потребителя. Лесен за обслужване и безопасен при експлоатация, при правилна употреба този електроинструмент ще Ви служи надеждно дълги години.

ПРЕДУПРЕЖДЕНИЕ!



Внимателно прочетете цялата инструкция за използване преди да използвате новопридобития си електроинструмент SPARKY. Обърнете специално внимание на текстовете, които започват с думата “Предупреждение”. Вашият електроинструмент SPARKY притежава много качества, които ще улеснят Вашата работа. При разработката на този електроинструмент най-голямо внимание е обърнато на безопасността, експлоатационните качества и надеждността, които го правят лесен за поддръжка и експлоатация.



Не изхвърляйте електроинструменти заедно с битовите отпадъци!

Отпадъците от електрически изделия не трябва да се събират заедно с битовите отпадъци. Моля, рециклирайте на местата, предназначени за това. Свържете се с местните власти или представител за консултация относно рециклирането.

ОПАЗВАНЕ НА ОКОЛНАТА СРЕДА



С оглед опазване на околната среда електроинструментът, принадлежностите и опаковката трябва да бъдат подложени на подходяща преработка за повторно използване на съдържащите се в тях суровини.

За облекчаване на рециклирането детайлите, произведени от изкуствени материали, са обозначени по съответния начин.

ОПИСАНИЕ НА СИМВОЛИТЕ

Върху табелката с данни на електроинструмента са означени специални символи. Те предоставят важна информация за изделието или инструкциите за неговото ползване.



Двойна изолация за допълнителна защита.



Съответства на приложимите европейски директиви.



Съответства на изискванията на регламентите на Митническия съюз.



Съответства на изискванията на украинските нормативни документи.




Запознайте се с инструкцията за използване.

YYYY-Www Период на производство, където променливи символи са:
YYYY - година на производство,
ww - поредна календарна седмица.

BM Миксер.

Технически данни

| Модел | BM 1380CEplus | BM2 1380CEplus |
|--|---------------------------|--|
| Консумирана мощност | 1260 W | 1260 W |
| Честота на въртене на празен ход | 150-300 min ⁻¹ | 150-300min ⁻¹ /200-520min ⁻¹ |
| Синхронизирана двускоростна предавка | не | да |
| Електронно регулиране на оборотите | да | да |
| Константна електроника | да | да |
| Токов съединител, температурна защита | да | да |
| Защита срещу самопускане | да | да |
| Присъединителна резба на вретеното | M14 | M14 |
| Тегло (ЕРТА процедура 01/2014) | 5,0 kg | 5,1 kg |
| Клас на защита съгласно EN 60745-1  | II | II |

ИНФОРМАЦИЯ ЗА ШУМ И ВИБРАЦИИ

Стойностите са измерени съгласно EN 60745.

Излъчване на шум

A-претеглено ниво на звуково

налягане L_{pA} 84,0 dB (A) 84,0 dB (A)

Неопределеност K_{pA} 3,0 dB (A) 3,0 dB (A)

A-претеглено ниво на звукова

мощност L_{WA} 95,0 dB (A) 95,0 dB (A)

Неопределеност K_{WA} 3,0 dB (A) 3,0 dB (A)

Използвайте средства за защита от шума!

Излъчване на вибрации *

Обща стойност на вибрациите (векторна сума по трите оси), определена съгласно EN 60745:

Бъркане на разтвор със средна плътност

Стойност на излъчените вибрации a_h <1,5 m/s² <1,5 m/s²

Неопределеност K 2,0 m/s² 2,0 m/s²

* Вибрациите са определени съгласно т. 6.2.7 на EN 60745.

Посоченото в тази инструкция ниво на вибрации е измерено в съответствие с методиката за изпитване, указана в EN 60745 и може да се използва за сравняване на електроинструменти. Нивото на вибрации може да се използва за предварителна оценка на степента на въздействие. Декларираното ниво на вибрации се отнася за основното предназначение на електроинструмента. В случаите, при които електроинструментът се използва за друго предназначение, с други принадлежности или ако електроинструментът не се поддържа добре, нивото на вибрации може да се различава от посоченото. В тези случаи нивото на въздействие може значително да нарасне в границите на общия период на работа.

При оценката на нивото на въздействие на вибрации трябва също да се отчита времето, през което електроинструментът е изключен или е включен, но не се използва. Това може значително да понижи нивото на въздействие в границите на общия период на работа."

Поддържайте електроинструмента и принадлежностите в добро състояние. Пазете ръцете си топли по време на работа - това ще намали вредното въздействие при работа с повишени вибрации.

Прахът, отделян при обработването на материали като оловосъдържащи бои, някои видове дървесина, минерали и метали, може да бъде опасен за здравето. Допирът или вдишването на праха може да предизвика алергични реакции и/или заболявания на дихателните пътища на оператора или на намиращи се в близост лица.

- Осигурете добра вентилация на работното място.
 - Препоръчва се използването на защитна маска за прах с филтър клас P2.
- Спазвайте действащите във вашата страна разпоредби за обработване на съответните материали.

Общи указания за безопасност при работа с електроинструменти



ПРЕДУПРЕЖДЕНИЕ! Четете всички предупреждения и указания за безопасност. Неспазването на предупрежденията и указанията за безопасност може да предизвика поражение от електрически ток, пожар и/или сериозно нараняване.

Запазете всички предупреждения и указания за бъдещо ползване.

Терминът „електроинструмент“ във всички описани по-долу предупреждения се отнася до вашия електроинструмент, захранван от мрежата (с шнур) и/или електроинструмент, захранван от акумулаторна батерия (без шнур).

1) Безопасност на работното място

- Поддържайте работното място чисто и добре осветено. Безпорядъкът и недостатъчното осветление са предпоставка за трудови злополуки.
- Не работете с електроинструменти в експлозивни атмосфери при наличие на запалими течности, газове или прах. Електроинструментите образуват искри, които могат да възпламенят праха или парите.
- Дръжте децата и страничните лица на разстояние, когато работите с електроинструмент. *Разсейването може да доведе до загуба на контрол от Ваша страна.*

2) Електрическа безопасност

- Щепселите на електроинструментите трябва да съответстват на контактите. Никога не променяйте щепсела по какъвто и да било начин. Не използвайте каквито и да са адаптерни щепсели за електроинструменти със защитно заземяване. Употребата на непроменени щепсели и съответстващите им

контакти намалява риска за поражения от електрически ток.

- Избягвайте допир на тялото до земя или до заземени повърхности, такива като тръби, радиатори, кухненски печки и хладилници. *Ако тялото ви е заземено, съществува повишен риск от поражение от електрически ток.*
 - Не излагайте електроинструментите на дъжд или във влажна среда. *Проникването на вода в електроинструмента повишава риска от поражение от електрически ток.*
 - Използвайте шнура по предназначение. Никога не използвайте шнура за носене на електроинструмента, опъване или изваждане на щепсела от контактното гнездо. Дръжте шнура далече от топлина, масло, остри ръбове или движещи се части. *Увредени или оплетени шнурове повишават риска за поражение от електрически ток.*
 - При работа с електроинструмента на открито, използвайте удължител, подходящ за работа на открито.
 - Ако работата с електроинструмента във влажна среда е неизбежна, използвайте предпазно устройство, задействано от остатъчен ток, за прекъсване на захранването. *Използването на предпазно устройство намалява риска от поражение от електрически ток.*
- ### 3) Лична безопасност
- Бъдете бдителни, работете с повишено внимание и проявявайте благоразумие, когато работите с електроинструмент. Не използвайте електроинструмента, когато сте уморени или под влияние на наркотици, алкохол или медикаменти. Момент на невнимание при работа с електроинструмент може да предизвика сериозна трудова злополука.
 - Използвайте лични предпазни средства. Носете винаги средства за защита на очите. *Лични предпазни средства, като маска против прах, неплъзгащи се безопасни обувки, защитен шлем или средства за защита на слуха, използвани при конкретните условия, на-*

маляват риска от трудови злополуки.

- c) Избягвайте неволно пускане. Убедете се, че прекъсвачът е в изключено положение преди включване към източник на хранване и/или акумулаторна батерия, преди да го вземете или пренасяте. Носенето на електроинструмент с пръст върху прекъсвача или свързването към източник на хранване на електроинструмент с прекъсвач във включено положение е предпоставка за трудова злополука.
 - d) Отстранете всеки ключ за затягане или гаечен ключ преди включване на електроинструмента. Ключ за затягане или гаечен ключ, прикрепен към въртяща се част на електроинструмента, може да предизвика трудова злополука.
 - e) Не се пресягайте. Поддържайте правилен строеж и равновесие през цялото време. Това позволява по-добро управление на електроинструмента при неочаквани ситуации.
 - f) Носете подходящо работно облекло. Не носете широки дрехи или бижута. Дръжте косите си, дрехите и ръкавиците далеч от движещи се части. Широки дрехи, бижута или дълги коси могат да се захванат от движещи се части.
 - g) Ако електроинструментът е снабден с приспособления за засмукване и улавяне на прах, убедете се, че те са свързани и правилно използвани. Използването на тези устройства може да намали свързаните с прах опасности.
- 4) Използване и грижи за електроинструментите
- a) Не претоварвайте електроинструмента. Използвайте правилно избрания електроинструмент според приложението. Правилно избраният електроинструмент работи по-добре и по-безопасно при обявения режим на работа, за който е проектиран.
 - b) Не използвайте електроинструмента, ако прекъсвачът не превключва във включено и изключено положение. Всеки електроинструмент, който не може да бъде управляван с прекъсвач, е опасен и трябва да бъде ремонтиран.
 - c) Разединете щепсела от хранващата мрежа преди да извършите вся-

какви настройки, преди замяна на принадлежности или преди да приберете електроинструмента за съхранение. Тези предпазни мерки за безопасност намаляват риска от неволно пускане на електроинструмента.

- d) Съхранявайте неизползваните електроинструменти на места, недостъпни за деца и не позволявайте на обслужващи лица, които не познават електроинструмента или не са запознати с тези инструкции, да работят с него. Електроинструментите са опасни в ръцете на необучени потребители.
 - e) Поддържайте електроинструментите. Проверявайте движещите се части дали функционират нормално и се движат свободно, целостта и изправността на частите, както и за всякакво друго обстоятелство, което може неблагоприятно да повлияе на работата на електроинструмента. Ако е повреден, електроинструментът трябва да бъде ремонтиран преди по-нататъшно използване. Много злополуки са причинени от лошо поддържани електроинструменти.
 - f) Поддържайте режещите инструменти остри и чисти. Правилно поддържаните режещи инструменти с остри режещи ръбове е по-малко вероятно да блокират и са по-лесни за управление.
 - g) Използвайте електроинструмента, принадлежностите и частите на инструмента и т.н. в съответствие с тези инструкции и по начин, предвиден за конкретния тип електроинструмент, като вземате предвид работните условия и работата, която трябва да се извършва. Използването на електроинструмента за работа, различна от тази, за която е проектиран, може да предизвика опасна ситуация.
- 5) Обслужване
- a) Поддържайте вашия електроинструмент при квалифициран специалист по ремонта, като използвате само оригиналните резервни части. Това осигурява запазването на безопасността на електроинструмента.

Допълнителни указания за безопасност при работа с миксери



По време на работа използвайте средства за защита на зрението, за да се предпазите от хвърчащи частици. Носете защитни очила.



Вземете предпазни мерки срещу вдихване на прах. Някои материали могат да съдържат токсични съставки.

- Препоръчва се използването на защитни ръкавици.



ПРЕДУПРЕЖДЕНИЕ: Преди да свържете електроинструмента към захранващата мрежа, убедете се че захранващото напрежение отговаря на посоченото върху табелката с технически данни на електроинструмента.

- Източник на захранване с напрежение, по-високо от посоченото за електроинструмента, може да предизвика както сериозно поражение от електрически ток върху оператора, така и повреда на електроинструмента.
- Ако имате някакви колебания, не поставяйте щепсела на електроинструмента в контактното гнездо.
- Използването на източник на захранване с напрежение, по-ниско от обозначеното върху табелката на електроинструмента, ще увреди електродвигателя.
- За да се предотврати евентуално прегряване, винаги развивайте докрай кабела от удължител с кабелен барабан.
- Когато се налага използването на удължител, убедете се, че сечението му отговаря на номиналния ток на използвания електроинструмент, както и в изправността на удължителя.



ПРЕДУПРЕЖДЕНИЕ: Винаги изключвайте електроинструмента и изваждайте щепсела от контакта преди извършване на всякаква настройка, обслужване или поддръжка и при отпадане на захранващото напрежение.

- Не включвайте машината под товар и я оставяйте само след окончателното спиране на въртенето.
- Когато работите с машината, винаги я дръжте здраво с две ръце и заемайте устойчиво положение. Този електроинструмент се управлява по-безопасно с две ръце.
- Електроинструментът да се държи далеч от тялото, а ръцете да се пазят далеч от въртящите се части на машината.
- В случай че електроинструментът падне в разбъркваната смес, веднага издърпайте щепсела и занесете машината за проверка в оторизиран сервиз. Проникналият в електроинструмента материал може да предизвика повреда и да причини късо съединение.
- При работа в запрашена среда вентилационните отвори на машината трябва да се поддържат чисти. Ако се наложи да бъдат почиствани от прах, първо изключете захранването и използвайте неметални предмети за почистването на праха, като внимавате да не повредите вътрешните детайли на машината.
- Дръжте захранващия кабел извън работния обхват на машината.
- Не използвайте електроинструмента с повреден кабел. Не докосвайте повредения кабел и извадете щепсела от контакта, ако кабелът се повреди по време на работа. Повредените кабели повишават риска от токов удар.
- Електроинструментът трябва да се използва само по предназначение. Всякаква друга употреба, различаваща се от описаната в тази инструкция, ще се счита за неправилна употреба. Отговорността за всякаква повреда или нараняване, произтичащи от неправилна употреба, ще се носи от потребителя, а не от производителя.
- За да експлоатирате правилно този електроинструмент, трябва да съблюдавате правилата за безопасност, общите инструкции и указанията за работа, посочени тук. Всички потребители трябва да са запознати с тази инструкция за експлоатация и информирани за потенциалните рискове при работата с електроинструмента. Деца и физически слаби хора не трябва да използват електроинструмента. Децата трябва да бъдат под непрекъснато наблюдение ако се намират в близост до място, където се работи с електроинструмента. Задължително е да предприемете и превантивни мерки за безопасност. Същото се отнася

и за спазването на основните правила за професионалното здраве и безопасност.

- Производителят не носи отговорност за извършени от потребителя промени върху електроинструмента или за повреди, предизвикани от подобни промени.
- Електроинструментът е предназначен за работа в помещения и зони с нормална пожарна опасност съгласно "НАРЕДБА № 13-1971 за строително-технически правила и норми за осигуряване на безопасност при пожар". Не се допуска използването му във взривоопасна и пожароопасна среда, при температура на околния въздух над 40°C, в особено влажна среда, при наличие на валели и в химически активна среда. Работното място трябва да е добре осветено.

Запознаване с електроинструмента

Преди да започнете да работите с електроинструмента се запознайте с всички оперативни особености и условия за безопасност.

Използвайте електроинструмента и принадлежностите му само по предназначение. Всяко друго приложение е изрично забранено.

1. Гумени тампони
2. Прекъсвач
3. Електронен регулатор на оборотите
4. Бутон за застопоряване на прекъсвача
5. Шнур с щепсел
6. Бъркалка
7. Вретено
8. Присъединителна шийка на машината
9. Превключвател на скоростните обхвати (BM2 1380CEPlus)
10. Ръкохватки
11. Вентилационни отвори
12. Гаечен ключ отворен SW 22
13. Двустен 19mm

Указания за работа

Този електроинструмент се захранва само с еднофазно променливо напрежение. Може да се присъединява към контакти без защитни клеми, тъй като е с двойна изолация съгласно EN 60745-1 и IEC 60745. Радиосмущенията съответстват на Директивата за електромагнитна съвместимост.

Електроинструментът е приложим:

- за работа в промишлеността и бита;

- за разбъркване на течни и полутечни материали с нисък вискозитет например: бои, лакове, лепила, леки мазилки и др.;

- за употреба с бъркалки и принадлежности, посочени в инструкцията или препоръчани от производителя.

ПРЕДИ ДА ЗАПОЧНЕТЕ РАБОТА

- Проверете дали напрежението на електрическата мрежа отговаря на това, означено върху табелката с технически данни на електроинструмента.
- Проверете в какво положение се намира прекъсвачът. Електроинструментът трябва да се присъединява и отделя от захранващата мрежа само при изключен прекъсвач. Ако поставите щепсела в контакт докато прекъсвачът е във включено положение, електроинструментът веднага ще се задейства, което е предпоставка за злополука.
- Убедете се в изправността на захранващия кабел и щепсел. Ако захранващият кабел е повреден, заменяната трябва да се извърши от производителя или от негов сервизен специалист, за да се избегнат опасностите от заменяната.
- Преди започване на работа електроинструментът и бъркалката да се проверяват за повреди, дебаланс и вибрации. Да се извърши пробно пускане.



ПРЕДУПРЕЖДЕНИЕ: Винаги изключвайте електроинструмента и изваждайте щепсела от контакта преди извършване на всякаква настройка, обслужване или поддръжка и при отпадане на захранващото напрежение.

ПУСКАНЕ - СПИРАНЕ

Кратковременно задействане

Пускане: Прекъсвач 2 се натиска.

Спиране: Прекъсвач 2 се отпуска.

Продължителна работа

Пускане: Прекъсвач 2 се натиска и в натиснато състояние се застопорява с бутон 4.

Спиране: Прекъсвач 2 се натиска еднократно и се отпуска веднага.

БЕЗСТЕПЕННО ЕЛЕКТРОННО РЕГУЛИРАНЕ НА ОБОРОТИТЕ

Леко натискане на прекъсвача 2 предизвиква задействане на миксера на ниски обороти,

които плавно се увеличават до максимални с увеличаване на натиска върху прекъсвача до достигане на крайно положение.

ИЗБОР НА ОБОРОТИТЕ

Необходимата честота на въртене се задава предварително посредством завъртане диска на регулатора 3 по посока на стрелката или към знака "+" за повишаване на оборотите, а в обратна посока на стрелката или към знака "-" за понижаване. По този начин се осигурява оптимален режим на работа.

Миксерът BM2 1380CE Plus е снабден с двускоростен редуктор. Превключването на скоростите става чрез завъртане на превключвателя 9 на 180° в посока по указаната стрелка, маркирана на превключвателя (посока обратна на часовниковата стрелка при спряла машина).

ПОСТАВЯНЕ ИЛИ СМЯНА НА РАБОТНИЯ ИНСТРУМЕНТ

Изважда се щепселът от контакта, ако е включен.

Бъркалката 6 се завива на ръка в посока на часовниковата стрелка.

Бъркалката 6 се развива с гаечен ключ SW22 в посока, обратна на часовниковата стрелка. Ако бъркалката е затегнала повече използвайте за застопоряване на вретено 7 в областта на двустена 13 допълнителен гаечен ключ с размер 19mm.

ПРЕПОРЪКИ

Бъркалката се върти още известно време след изключване.

Ако въртящата се бъркалка докосне повърхност, може да предизвика обратен тласък.

Електроинструментът да се включва чрез плавно натискане на спуська на прекъсвача 2 до достигане на максимални обороти едва след потапяне на бъркалката в разбъркваната смес.

ЗАЩИТА ОТ ПРЕТОВАРВАНЕ

- При малки продължителни претоварвания се задейства температурната защита, която изключва двигателя. За привеждане в работен режим е необходимо да се изключи и отново включи прекъсвачът, след като машината се охлади 3-5 минути.

- При големи кратковременни претоварвания се задейства токова защита, която прекъсва

захранването на машината и я прави неработоспособна. За да се възстанови нормалното функциониране на електроинструмента в този случай е необходимо пусковият прекъсвач да се изключи и след това отново да се включи.

- В случай на прекъсване на напрежението на захранващата мрежа (или на моментното му отпадане за време $t > 0,5s.$), когато пусковият прекъсвач на инструмента е фиксиран във включено положение, при възстановяване захранването от мрежата, електроинструментът трябва да не работи (да не тръгва). За да се възстанови нормалното функциониране на електроинструмента в този случай е необходимо пусковият прекъсвач да се изключи и след това отново да се включи.

ПРИНАДЛЕЖНОСТИ, КОИТО МОГАТ ДА БЪДАТ ИЗПОЛЗВАНИ С ТОЗИ ЕЛЕКТРОИНСТРУМЕНТ

Могат да се използват бъркалки с дясно въртене, присъединителна външна резба M14 и максимален диаметър на работното тяло $\varnothing 140mm.$

- Бъркалка SM120x570

- Бъркалка SM121x570

Не е задължително в комплектацията на машината да влизат бъркалките SM120x570 и SM121x570.

Поддръжка



ПРЕДУПРЕЖДЕНИЕ: Винаги изключвайте електроинструмента и изваждайте щепсела от контакта преди всякаква проверка или поддръжка.

ПОДМЯНА НА ЧЕТКИТЕ

Електроинструментът е снабден със самоизключващи се четки. Когато четките се износват, двете четки трябва да се подменят едновременно с оригинални четки в сервис на SPARKY за гаранционна и извънгаранционна поддръжка."

ОБЩА ПРОВЕРКА

Проверявайте редовно всички крепежни елементи и се уверете, че те са здраво пригетнати. В случай, че някой от винтовете се е разхлабил, го затегнете незабавно, за да из-

бегнете рискови ситуации.

Ако захранващият кабел е повреден, замяната трябва да се извърши от производителя или негов сервизен специалист, за да се избегнат опасностите от замяната.

ПОЧИСТВАНЕ

За безопасна работа поддържайте винаги чисти машината и вентилационните отвори. Редовно проверявайте дали във вентилационната решетка близо до електродвигателя или около превключвателите не е проникнал прах или чужди тела. Използвайте мека четка за да отстраните събрания се прах. За да предпазите очите си, по време на почистването носете защитни очила.

Ако корпусът на машината се нуждае от почистване, избършете го с мека влажна кърпа. Може да се използва слаб препарат за миене.



ПРЕДУПРЕЖДЕНИЕ: Не се допуска употребата на спирт, бензин или други разтворители. Никога не използвайте разяждащи препарати за почистване на пластмасовите части.



ПРЕДУПРЕЖДЕНИЕ: Не се допуска влизането на вода в контакт с машината.

ВАЖНО! За да се осигури безопасната работа с електроинструмента и неговата надеждност, всички дейности по ремонта, поддръжката и регулирането (включително проверката и подмяната на четките) трябва да се извършват в оторизираните сервизи на SPARKY с използване само на оригинални резервни части.

Гаранция

Гаранционният срок на електроинструментите SPARKY се определя в гаранционна карта.

Неизправности, появили се в следствие на естествено износване, претоварване или неправилна експлоатация, се изключват от гаранционните задължения.

Неизправности, появили се в следствие на влагане на некачествени материали и/или производствени грешки, се отстраняват без допълнително заплащане чрез замяна или ремонт.

Рекламация на дефектирал електроинструмент SPARKY се признава, когато машината се върне на доставчика или се представи на оторизиран гаранционен сервиз в неразглобено (първоначално) състояние.

Забележки

Внимателно прочетете цялата инструкция за експлоатация преди да използвате това изделие.

Производителят си запазва правото да въвежда подобрения и промени в своите изделия и да променя спецификациите без предупреждение.

Спецификациите могат да се различават за отделните страни.